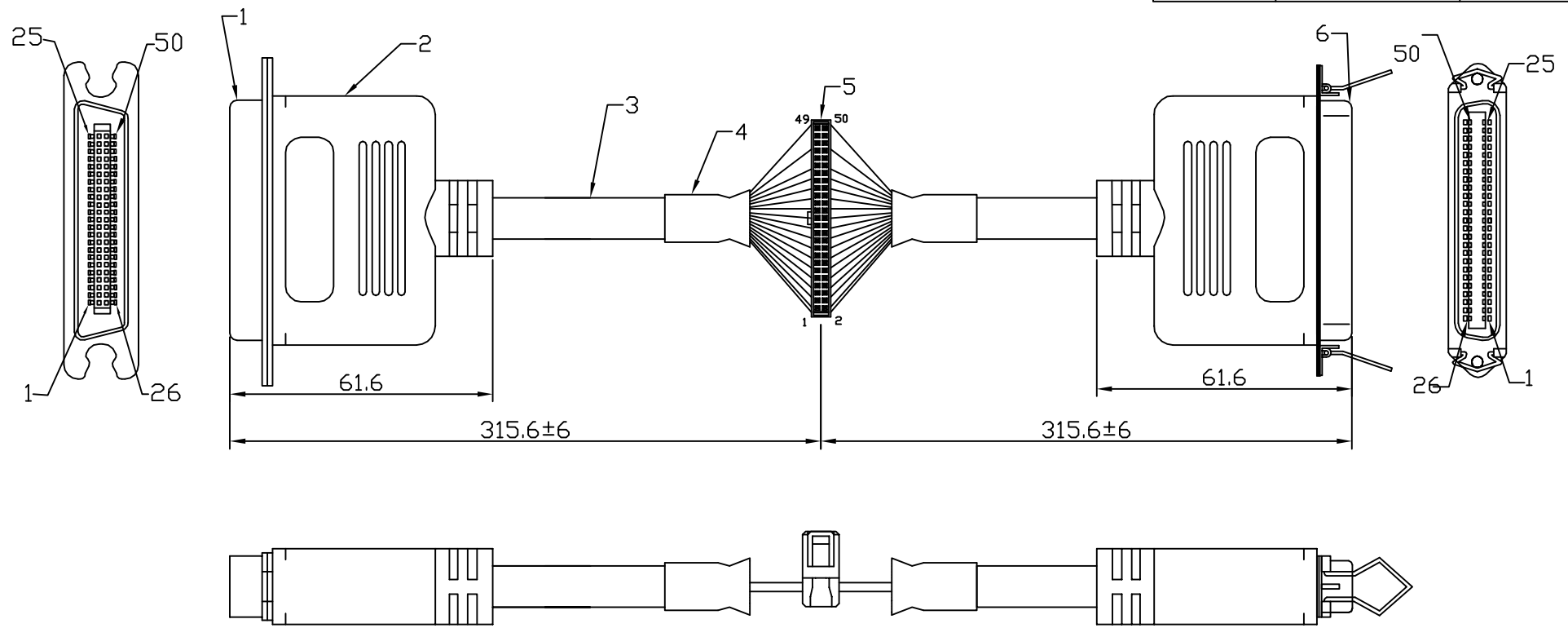



REVISION	DESCREPTION	DATE	APPD
0	SET UP	JAN/10/2005	C.Y.LIN



NOTE:
THE PIN ASSENGMENT IS ONE TO ONE

ELECTRICAL CHARACTER:
 1. 100% OPEN/SHORT.
 2. CONTACT RESISTANCE: 20HMS
 3. HI-POT: 300V 10MS
 4. INSULATION RESISTANCE: 20MΩHMS

6		RC 50 PIN FEMALE TYPE SHELL PLATED NICKEL CONTACT:GOLD FLASH	2	PCS
5		IDE 50 PIN FEMALE HEADER TYPE	1	PCS
4		H.S. TUBE	2	PCS
3		UL2919 28AWG*25P+AED JACKET COLOR:BEIGE OD:9.5		
2		55P PVC MOLD BEIGE IN COLOR		
1		RC 50 PIN MALE TYPE SHELL PLATED NICKEL CONTACT:GOLD FLASH	1	PCS
NO	PART NO.	DESCRIPTION	QTY	UNIT

 HO CHIEN ENTERPRISE CO. LTD

TITLE :

PAGE: 1 OF 1 HO CHIEN P/N. WH-C4076-012A

DR: RON CHEN	CHK: J.T,CHEN	APPD: C.Y.LIN
--------------	---------------	---------------