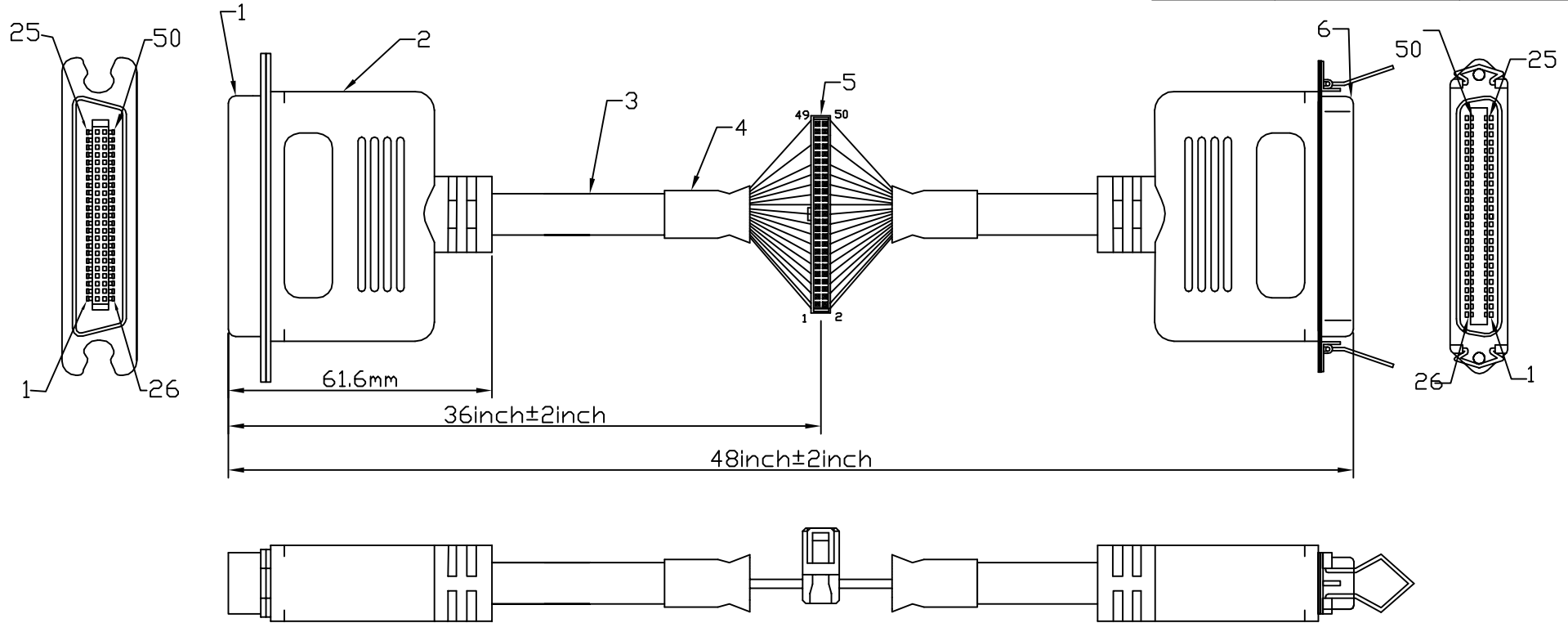



REVISION	DESCREPTION	DATE	APPD
0	SET UP	NOV/16/2004	C.Y.LIN



NOTE:  
THE PIN ASSENGMENT IS ONE TO ONE

ELECTRICAL CHARACTER:  
 1. 100% OPEN/SHORT.  
 2. CONTACT RESISTANCE: 20HMS  
 3. HI-POT: 300V 10MS  
 4. INSULATION RESISTANCE: 20MΩHMS

6		RC 50 PIN FEMALE TYPE SHELL PLATED,NICKEL CONTACT:GOLD FLASH	2	PCS
5		IDE 50 PIN FEMALE HEADER TYPE	1	PCS
4		H.S. TUBE	2	PCS
3		UL2919 28AWG*25P+AED JACKET COLOR:BEIGE OD:9.5		
2		55P PVC MOLD BEIGE IN COLOR		
1		RC 50 PIN MALE TYPE SHELL PLATED,NICKEL CONTACT:GOLD FLASH	1	PCS
NO	PART NO.	DESCRIPTION	QTY	UNIT

 HO CHIEN ENTERPRISE CO. LTD

TITLE :

PAGE: 1 OF 1

HO CHIEN P/N. WH-C4076-010C

DR : RON CHEN      CHK : J.T,CHEN

APPD : C.Y.LIN