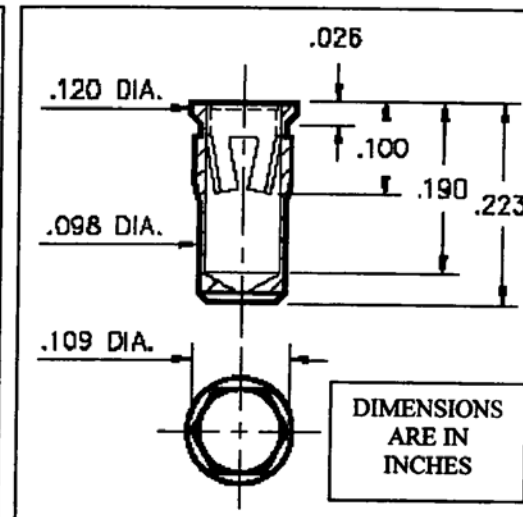
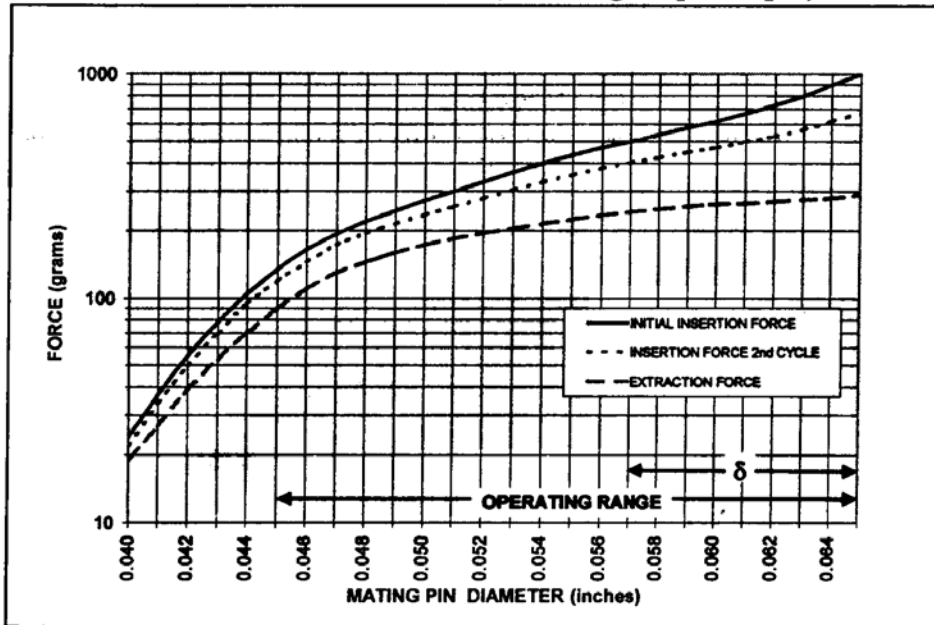


**1. MATERIALS**

- 1.1. Shell: Brass alloy 360 (61.5% Cu, 35.4% Zn, 3.1% Pb), half-hard
- 1.2. Shell finish: 10 $\mu$ " gold over nickel
- 1.3. Contact: Beryllium copper alloy 172 (98.1% Cu, 1.9% Be), HT
- 1.4. Contact finish: 10 $\mu$ " gold over nickel

**2. MECHANICAL**

- 2.1. Recommended PC board hole size: 0.104", plated through
- 2.2. Insertion / extraction forces (smooth gold-plated pin):



2.3. Minimum size pin which will make reliable contact with socket after insertion of smooth, gold-plated 0.067" diameter pin (shown on graph as  $\delta$ ): 0.057"

2.4. Number of contact fingers: 6

**3. ELECTRICAL**

3.1. Current rating for 10 $^{\circ}$ C rise: 11.2A

**4. SOLDERABILITY**

4.1. Parts shall comply with solderability specification S61-15

<b>TOLERANCES UNLESS OTHERWISE SPECIFIED</b>  LENGTHS $\pm 0.005$ DIAMETERS $\pm 0.002$ ANGLES $\pm 2^{\circ}$	61218	JW	6/10/03	N/A	RELEASE	<b>HO CHIEN</b> www.hochien.com	
	ECO NO	APPROVED	DATE	TOOL STATUS	DESCRIPTION OF CHANGE		
	WITHOUT ITS WRITTEN CONSENT. UNLESS OTHERWISE SPECIFIED DIMENSIONS ARE IN INCHES						SHEET A SIZE
DO NOT SCALE DRAWING SCALE: N/A	TITLE: <b>PC BOARD SOCKET, PRESS-FIT, FOR 0.045" - 0.067" PIN</b>				DRAWING NUMBER <b>S50-0038-000</b>	SHT OF 1 of 1	REV A