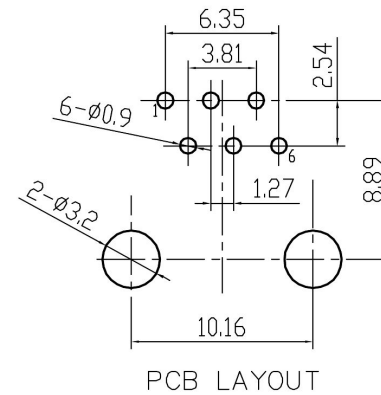
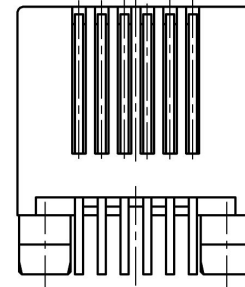
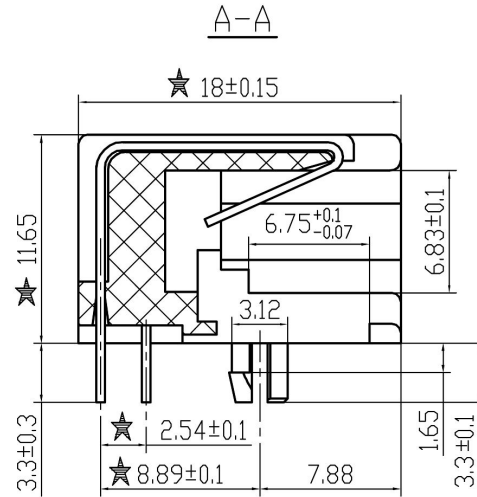
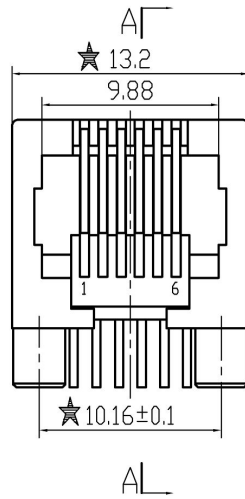


YH-53-02

REV.	ECN NO.	DATE



- NOTES:
1. ELECTRICAL:
 - 1.1 VOLTAGE RATING: 125 VAC RMS;
 - 1.2 CURRENT RATING: 1.5 AMP;
 - 1.3 CONTACT RESISTANCE: 20 MILLIOHMS Max;
 - 1.4 INSULATION RESISTANCE: 1000 MEGOHMS Min @500 VDC;
 - 1.5 DIELECTRIC STRENGTH: 1000 VAC RMS 50 or 60Hz 1 Minute;
 2. MECHANICAL:
 - 2.1 HOUSING: PBT, UL94V-0, BLACK;
 - 2.2 TERMINALS: DIA 0.46 PHOSPHOR BRONZE PLATED 3u" Au;
 - 2.3 DURABILITY: 750 CYCLES Min.
- 3 **Critical Dimension

RoHS Compliant

HO CHIEN

TOLERANCES

0~15:±0.15
 15~30:±0.20
 30~ :±0.25
 ANGLES:±1°

MATERIAL: SEE NOTE

DESIGNED:

NAME: HC-5321-6P6C

FINISH: SEE NOTE

CHECKED:

DRAWING NO: Q08010701

REV

SHEET 1 of 1

APPROVED:

PART NO:

00



A4
 SIZE

SCALE
 3:1

UNIT
 mm

CUSTOMER:
 MODEL NO.:

1

2

3

4