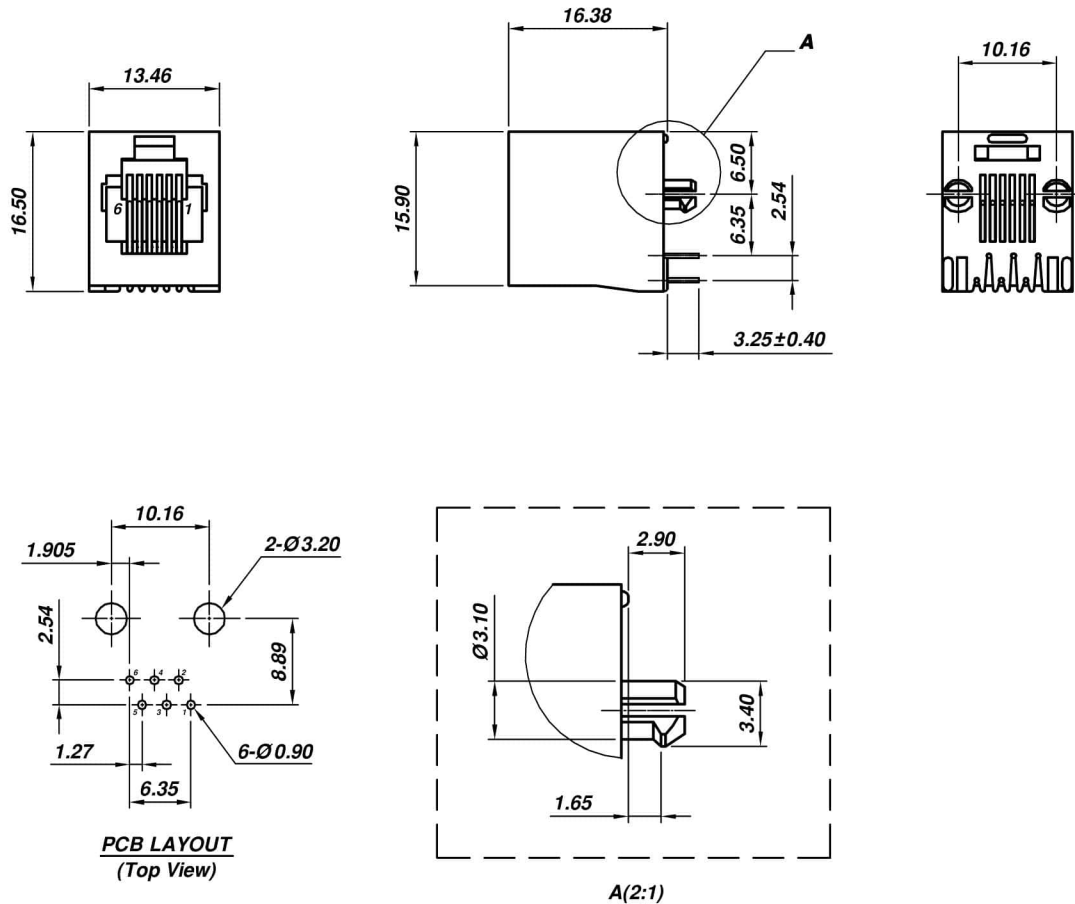


RoHs Compliant



SPECIFICATION :

1. Electrical Char.

Insulation Resistance : 500M-Ohm Min. 500V DC. for 1 minute.
 Contact Resistance : 30milli-ohm Max.
 Rating Current : 1.5A Max.
 Rating Voltage : 150V AC.
 Dielectric Voltage : 1,000 Vrms at 1MA 60 Sec. Min.

2. Physical char.

Housing(Optional) :

PBT Glass Filled (UL 94V-0),Soldering Temperature:235°C for 5 Sec.
 Nylon (UL 94V-0),Soldering Temperature:260°C for 5 Sec.

Color : Black Color

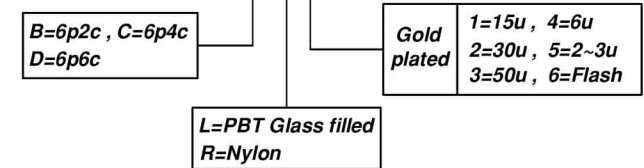
Spring Wire :

0.45mm Dia Phosphor Bronze Gold Plating Over Nickel

Temperature Range : -40°C /+85°C

Durability : 750 Mating cycles Min.

HC-012-6-X-XX-N



HO CHIEN
 www.hochien.com

TITLE

RJ11 OR RJ12 TOP ENTRY PCB JACK
 UL & cUL FILE NO. E131820

MODULAR JACKS ASSY FOR
 HC-012-6-X-XX-N

SCALE SIZE DWG. NO. 9607 SERIES

DWG. NO.

| | | | | | |
|------------------------|-----------------------------------|------------|---------------------------------------|-------------|----------------|
| NOT SCALE DRAWING | TOLERANCE UNLESS OTHERWISE NOTICE | INCH | MM | DR. Deng | DATE 2013.8.26 |
| THIRD ANGLE PROJECTION | LINEAR | MM INCH | .00±0.01 .000±0.005 .0000±0.002 | CK'D Liu | 2013.8.26 |
| MM INCH | ANGLE +0° 30' | RADII | +0.45 -0.15 | APP'D Jason | 2013.8.26 |