

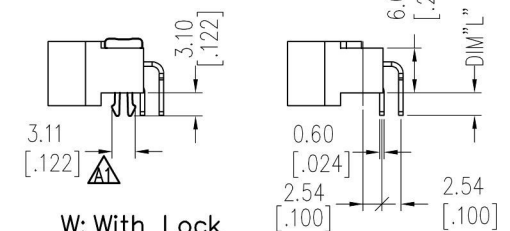
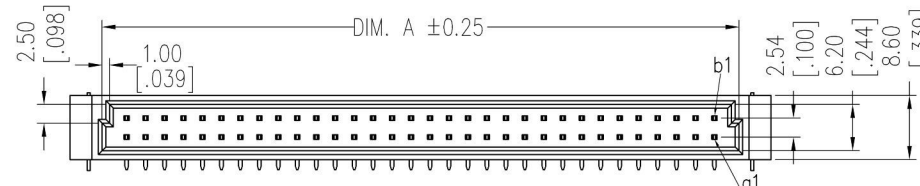
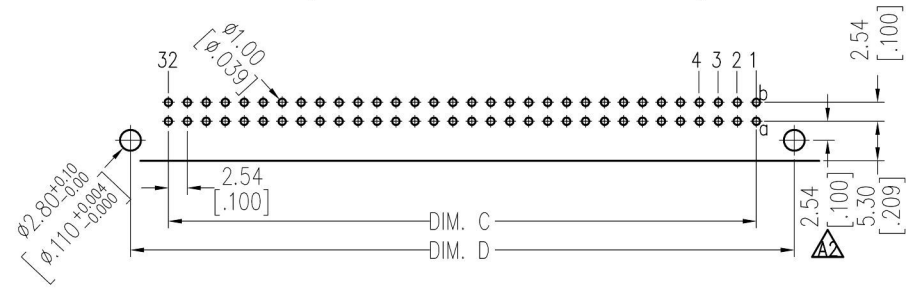
HSF

NOTES:

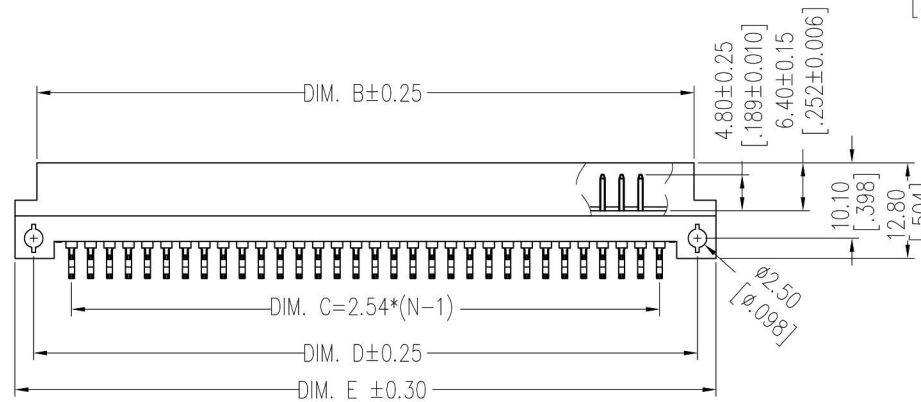
Current Rating: 3.0AMP
 Contact Resistance: 30mΩ max
 Withstand Voltage: 1000V AC/DC
 Insulation Resistance: 1000MΩ
 Operation Temperature: -55°C~+105 °C

Contact Material: Brass
 Contact Plating: Au and Sn over Ni
 Fixing Material: Phosphor Bronze
 Fixing Plating: Sn over Ni
 Insulator Material: PBT+30% G.F(UL94V-0)

Recommended P.C.B Layout(Top Side)
 (PCB BOARD TOLERANCE±0.05)



W: With Lock
 BLANK: Without Lock



Ordering Information

4014 - X X XX X X

Rows w/ Contacts:
 1 = A
 2 = A+B

No. of Pins Per Row:
 10 Pin
 16 Pin
 32 Pin

Lock Option:
 Blank = W/O Lock
 W = W Lock

DIP Length:
 1: L = 2.50
 2: L = 3.00
 3: L = 4.00
 4: L = 4.57

Contact Plating:
 T = Gold Flash/Tin

TYPE	PDS.	ROWS	N	DIM.A	DIM.B	DIM.C	DIM.D	DIM.E
B	64	2	32	85.20	88.00	78.74	88.90	94.00
B/2	32	2	16	44.60	47.36	38.10	48.26	53.90
B/3	20	2	10	29.30	32.10	22.86	33.02	38.10

REV	DATE	MODIFICATION DESCRIPTION	CHANGE	OPERATION	DATE	SCALE	FIT	PART NO.
A3	2016/09/19	Changes in size and in kind $\Delta 3$	—	OPERATION	DATE	SCALE	FIT	4014-XXXXXX
A2	2015/06/04	Modify the P.C.B Layout	—	X.X ±0.40	DATE	UNIT	mm/inch	TITLE: 2.54PITCH DIN 41612 Male 90°DIP(B-Type)
A1	2014/08/12	Modify the dim	—	X.XX ±0.25	DATE	SIZE	A4	
A0	2014/05/29	NEW	—	X.XXX ±0.15	DATE	SHEET	1/1	
REV	DATE	MODIFICATION DESCRIPTION	CHANGE	Angle DIM	DATE	PROJ.	Customer NO.	

HO CHIEN
 www.hochien.com