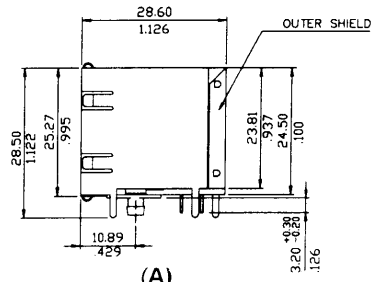
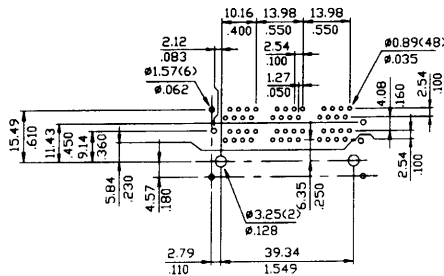
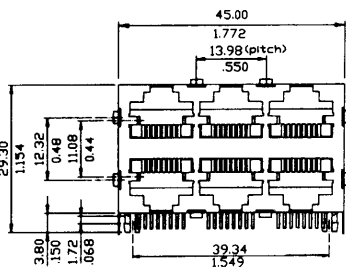


HO CHIEN

DOUBLE DECK GANG JACK 8P8C SHIELDED

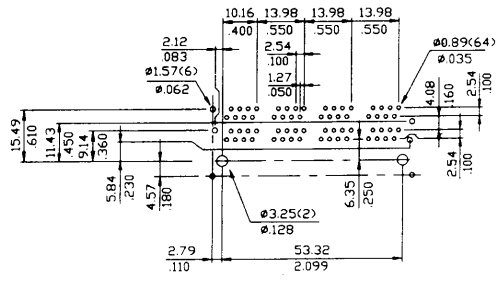
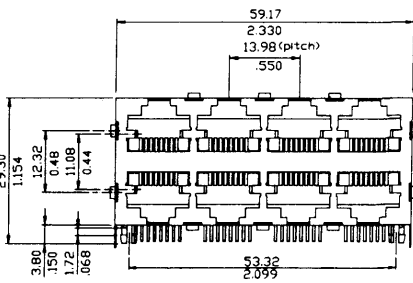
HC-600-23



PCB LAYOUT

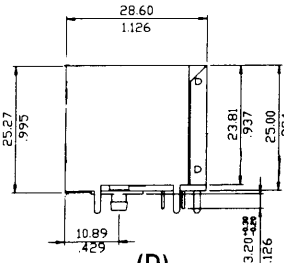
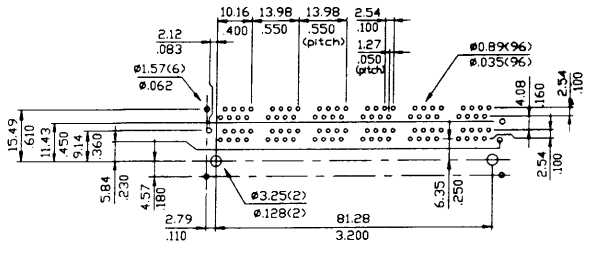
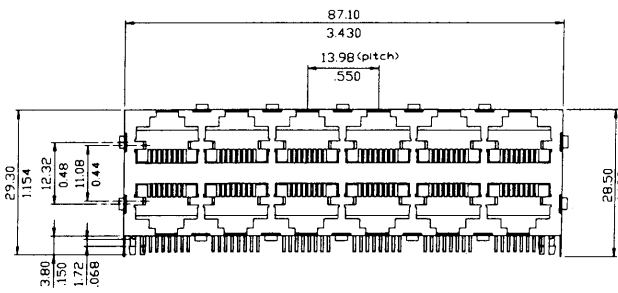
(A)

HC-600-24

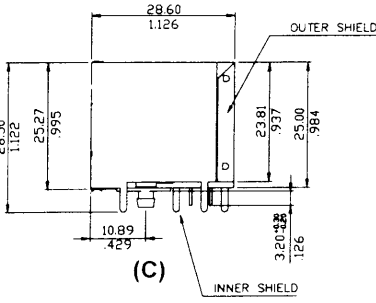


PCB LAYOUT

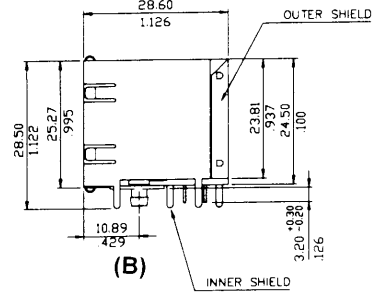
HC-600-26



(D)



(C)



(B)

Housing : Glass filled Polyester UL 94V-0

Contacts : 0.35MM Thickness Phosphor Bronze

Shielding : Bronze with Nickel plated

alloy Selective Gold plating over Nickel.

HC-500-26 Un-Shielded

HC-600-26 - F - X - A

- A= WITH PANEL GROUND WITHOUT INNER SHIELDED
- B= WITH PANEL GROUND/INNER SHIELDED
- C= WITHOUT PANEL GROUND, WITH INNER SHIELDED
- D= WITHOUT PANEL GROUND/INNER SHIELDED

SHIELDED HOUSING NUMBER

GOLD PLATED 1=15μ, 2=30μ, 3=50μ, 4=6μ

8P8C EACH PORT

AVAILABLE : HC-500-21, HC-500-22, HC-500-23, HC-500-24, HC-500-26, HC-500-28,

HC-600-21, HC-600-22, HC-600-23, HC-600-24, HC-600-26, HC-600-28

HC-600-14, (6P4C 2X2 4PORTS)