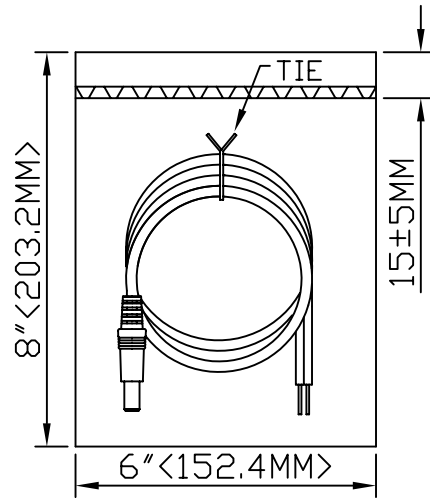
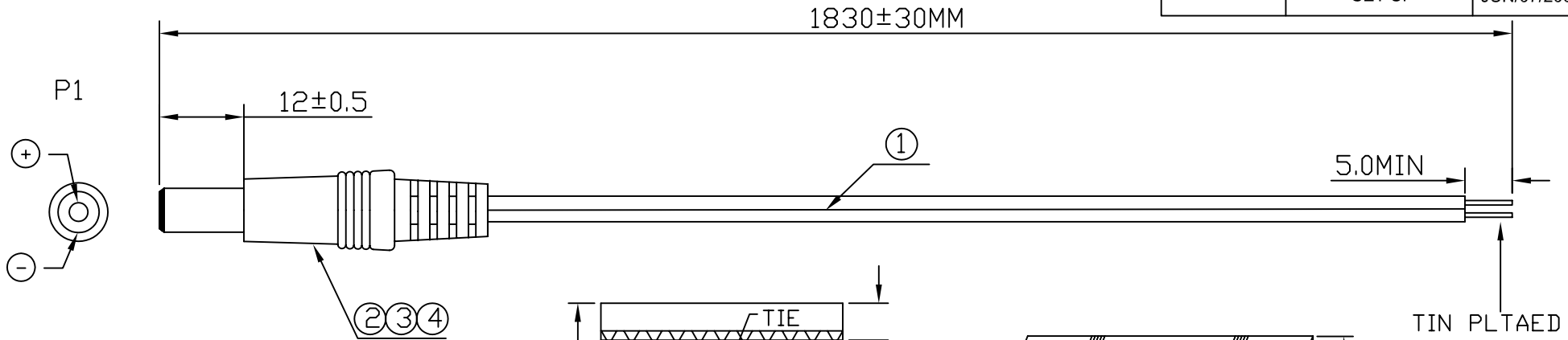
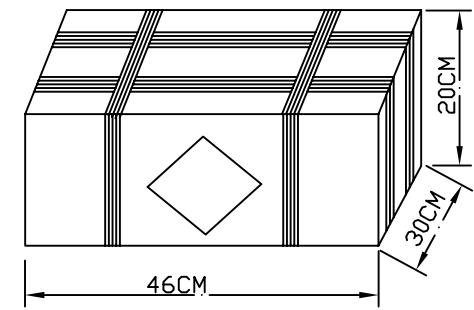


| REVISION | DESCREPTION | DATE | APPD |
|----------|-------------|-------------|---------|
| 0 | SET UP | JUN/07/2005 | C.Y.LIN |



PE BAG:6"*8"*0.06MM
1PCS/PE BAG

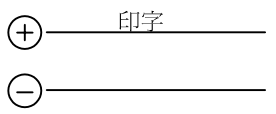


Q'TY:300PCS
CARTON:46*30*20CM

RoHS COMPLIANT

| * | 390 | CARTON:46*30*20CM | 1/300 | PCS |
|----|------|---|-------|------|
| * | 390 | PE BAG:30"*28"*0.08MM | 1/300 | PCS |
| * | 390 | PE BAG:6"*8"*0.06MM | 1 | PCS |
| * | 390 | TIE-A120/BLACK | 1 | PCS |
| 4 | 370 | PVC-BLACK10/50 | 6.3 | G |
| 3 | 220 | SOL-WIRE-FULL-TIN-1.0 | 0.1 | G |
| 2 | 220 | DC PLUG:Ø5.5*2.5*22.5MM<BLACK> | 1 | PCS |
| 1 | 210 | 18#*2C STP-1-BLACK10-Ø2.7*5.4 (CHANGDA OR EQUIV) | 1.83 | M |
| NO | TYPE | DESCRIPTION | QTY | UNIT |

PIN ASSIGNMENT
P1 OPEN



| | | | |
|--------------|--------|--|--|
| INNER MOLDER | | | |
| OUTER MOLDER | DC 002 | | |

HO CHIEN ENTERPRISE CO. LTD

TITLE: