

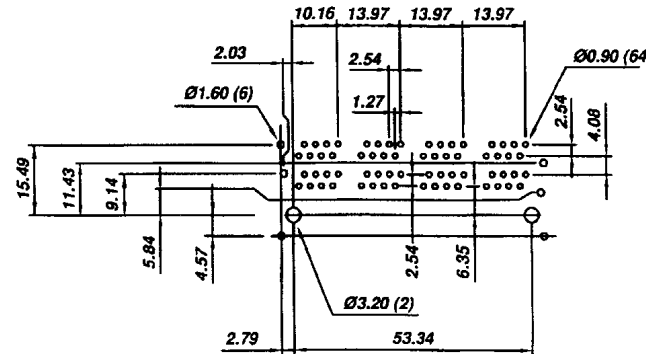
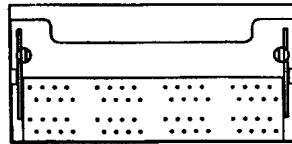
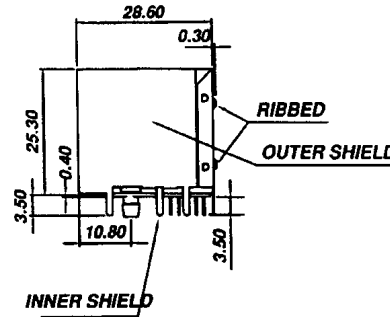
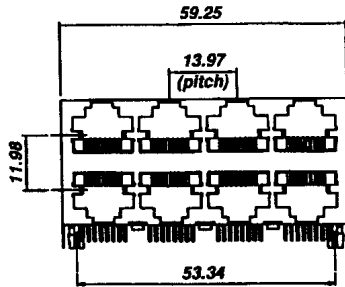
SPECIFICATION :

1. Electrical Char.

Insulation Resistance : 500M-Ohm Min.
 Contact Resistance : 20milli-Ohm Max.
 Rating Current : 1.5A Max.
 Rating Voltage : 120V AC
 Dielectric Voltage : 1,000 Vrms 60 Sec. Min.

2. Physical char.

Housing : PBT Glass Filled (UL 94V-0)
 Color : Black Color
 Spring Wire : 0.35mm Thickness Phosphor Bronze
 Gold Plating Over Nickel.
 Temperature Range : - 25 /+90 Deg C
 Durability : 500 Mating cycles Min.



PCB LAYOUT
(Top View)

HC-600-24-F-X-C

F=8p8c

Gold plated	1=15u , 3=50u
	2=30u , 4= 6 u

HO CHIEN

www.hochien.com

TITLE

DOUBLE DECK GANG PCB JACK
UL & cUL FILE NO. E131820

MODULAR JACKS ASSY FOR
HC-600-24-F-X-C

SCALE SIZE DWG. NO.9600 SERIES

NOT SCALED DRAWING	TOLERANCE UNLESS OTHERWISE NOTICE	INCH	MM	DR.	DATE	
 THIRD ANGLE PROJECTION	LINEAR	MM INCH	00±0.01 000±0.005 0000±0.002	Steven Johnn	AUG-16 '04 AUG-16 '04	
	ANGLE	+0°30'	RADIL	+0.40 -0.15	APP'D Billy	AUG-16 '04

DWG. NO. **AS600023**