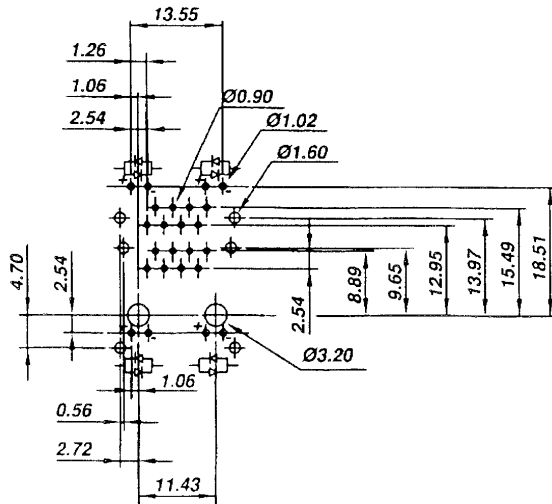
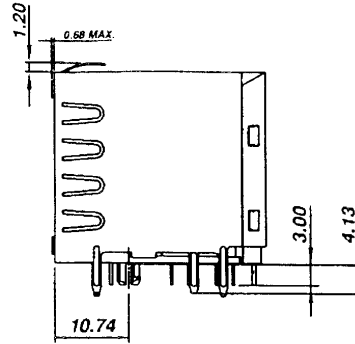
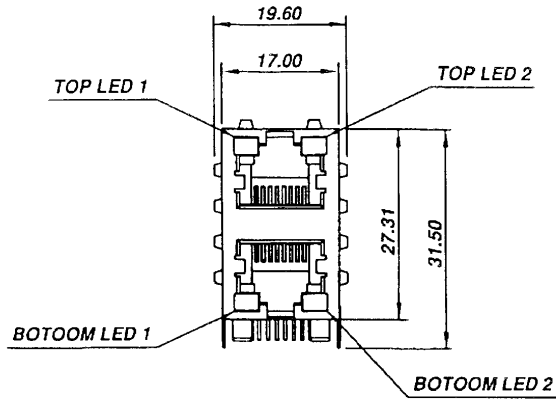
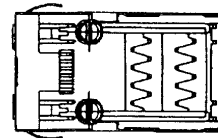


CATEGORY 5



PC Layout
(Top View)



SPECIFICATION :

1. Electrical Char.

Insulation Resistance : 500M-Ohm Min.
 Contact Resistance : 20milli-Ohm Max.
 Rating Current : 1.5A Max.
 Rating Voltage : 120V AC.
 Dielectric Voltage : 1,000 Vrms 60 Sec. Min.

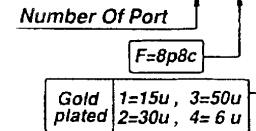
2. Physical char.

Housing : PBT Glass Filled (UL 94V-0)
 Color : Black Color
 Spring Wire : 0.35mm Thickness Phosphor Bronze
 Nickel Plated and with 50u Gold Plated.
 Temperature Range : - 25 /+90 Deg C
 Durability : 500 Mating cycles Min.

3. LED filings.

Forward DC Current : 2 mA
 Forward Voltage : 1.8 Volts Typical
 Reverse Voltage : 5 Volts Min.

HC-095-21-F-3-N4-XX



LED 2 Designation : See LED 1

LED 1 Designation :

Code	Forward	Reverse	Code	Forward	Reverse
G	Green	—	2	Yellow	Orange
Y	Yellow	—	3	Green	Red
1	Green	Orange	4	Yellow	Red
			5	Green	Yellow

Gold plated	1=15u , 3=50u 2=30u , 4= 6 u
-------------	---------------------------------

HO CHIEN

www.hochien.com

TITLE

RJ45 2X1 8 POSITIONS
 DOUBLE DECK GANG SHIELDED JACK
 UL & cUL FILE NO. E131820

MODULAR JACKS ASSY FOR
HC-095-21-F-3-N4-XX

SCALE SIZE DWG. NO. 9795 SERIES

NOT SCALED DRAWING	TOLERANCE UNLESS OTHERWISE NOTICE	INCH	MM	DR.	DATE	
THIRD ANGLE PROJECTION	LINEAR	MM INCH	00±0.01 000±0.005 0000±0.002	00±0.25 000±0.13 0000±0.05	CK'D Steven Johnn	NOV-18 '04 NOV-18 '04
	ANGLE	+0' 30'	RADIL	+0.45 -0.15	APP'D Billy	NOV-18 '04

DWG. NO.

AS095003