

SPECIFICATION :

1. Electrical Char.

- Insulation Resistance : 500M-Ohm Min.
- Contact Resistance : 20milli-Ohm Max.
- Rating Current : 1.5A Max.
- Rating Voltage : 120V AC.
- Dielectric Voltage : 1,000 Vrms 60 Sec. Min.

2. Physical char.

- Housing : Nylon (UL 94V-0)
- Color : Black Color
- Spring Wire : 0.35mm Thickness Phosphor Bronze
Gold Plating Over Nickel
- Temperature Range : - 25 /+90 Deg C
- Durability : 500 Mating cycles Min.

3. LED filings.

- Forward DC Current : 2 mA
- Forward Voltage : 1.8 Volts Typical
- Reverse Voltage : 5 Volts Min.

HC-069SH 8 F X N4 XX

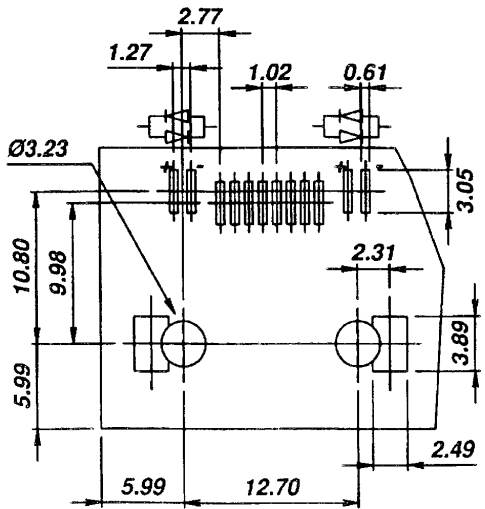
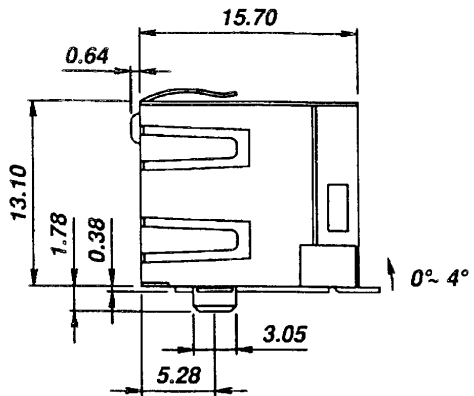
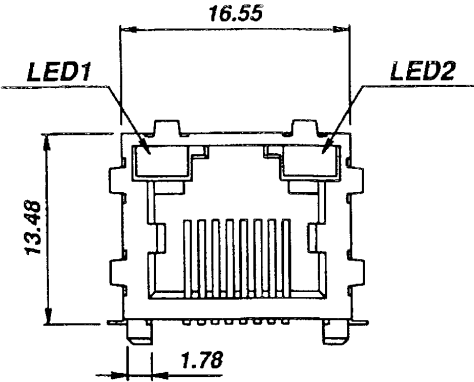
LED 2 Designation : See LED 1

F=8p8c

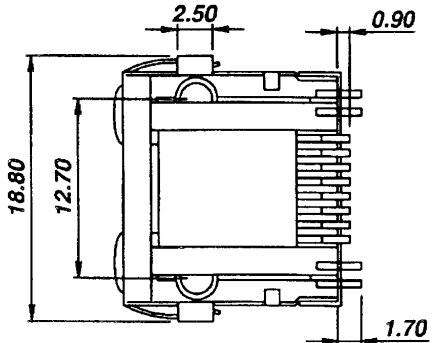
LED 1 Designation :

Gold plated	1=15u, 3=50u 2=30u, 4= 6 u
-------------	-------------------------------

Code	Forward	Reverse	Code	Forward	Reverse
G	Green	—	2	Yellow	Orange
Y	Yellow	—	3	Green	Red
1	Green	Orange	4	Yellow	Red



PCB LAYOUT
(Top View)



HO CHIEN

www.hochien.com

TITLE

RJ45 SIDE ENTRY S.M.T. JACK WITH LED
UL & cUL FILE NO. E131820

MODULAR JACKS ASSY FOR
HC-069SH 8 F X N4 XX

SCALE SIZE DWG. NO. 9769S-8 SERIES

NOT SCALED DRAWING	TOLERANCE UNLESS OTHERWISE NOTICE	INCH	MM	DR. Steven	DATE AUG-18 '04
THIRD ANGLE PROJECTION	LINEAR MM INCH	00±0.01 000±0.005 0000±0.002	00±0.25 000±0.13 0000±0.05	CK'D Johnn	AUG-18 '04
	ANGLE+0°30'	RADIL	+0.45 -0.15	APP'D Billy	AUG-18 '04

DWG. NO. **AS069006**