

## SPECIFICATION :

### 1. Electrical Char.

Insulation Resistance : 500M-Ohm Min.  
 Contact Resistance : 20milli-Ohm Max.  
 Rating Current : 1.5A Max.  
 Rating Voltage : 120V AC.  
 Dielectric Voltage : 1,000 Vrms 60 Sec. Min.

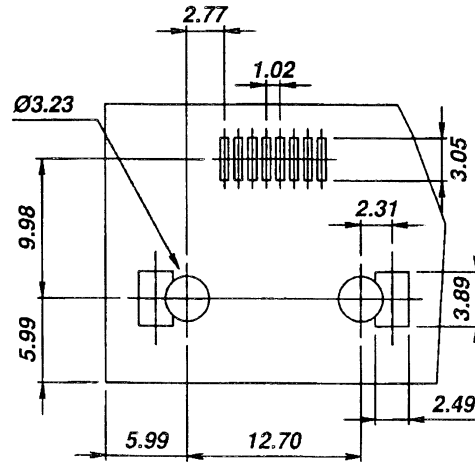
### 2. Physical char.

Housing : Nylon (UL 94V-0)  
 Color : Black Color  
 Spring Wire : 0.35mm Thickness Phosphor Bronze  
 Gold Plating Over Nickel  
 Temperature Range : - 25 /+90 Deg C

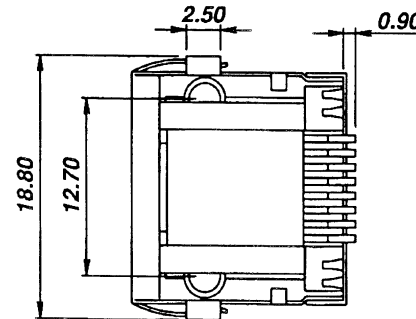
## HC-069SH 8 FXN4

F=8p8c

Gold plated	1=15u , 3=50u
	2=30u , 4= 6 u



**PCB LAYOUT**  
( Top View )



# HO CHIEN

www.hochien.com

TITLE

**RJ45 SIDE ENTRY S.M.T. JACK**

UL & cUL FILE NO. E131820

**MODULAR JACKS ASSY FOR**

**HC-069SH-8-F-X-N4**

SCALE SIZE DWG. NO. 9769S-8 SERIES

NOT SCALED DRAWING	TOLERANCE UNLESS OTHERWISE NOTICE	INCH	MM	DR.	DATE
 THIRD ANGLE PROJECTION	LINEAR $\frac{MM}{INCH}$	00±0.01	00±0.25	CK'D	AUG-18 '04
		000±0.005	000±0.13	Johnn	AUG-18 '04
$\frac{MM}{INCH}$	ANGLE+0'30'	RADIL	+0.45 -0.15	APP'D Billy	AUG-18 '04

DWG. NO.

**AS069004**