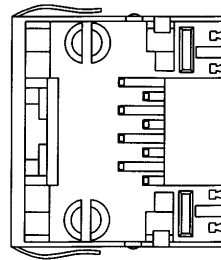
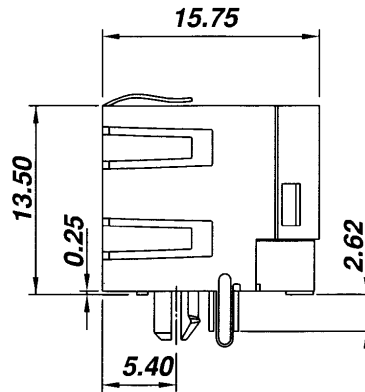


**PCB LAYOUT
(Top View)**



SPECIFICATION :

1. Electrical Char.

- Insulation Resistance : 500M-Ohm Min.
- Contact Resistance : 20milli-Ohm Max.
- Rating Current : 1.5A Max.
- Rating Voltage : 120V AC.
- Dielectric Voltage : 1,000 Vrms 60 Sec. Min.

2. Physical char. RoHs Compliant

- Housing : Nylon (UL 94V-0)
- Color : Black Color
- Spring Wire : 0.35mm Thickness Phosphor Bronze
Gold Plating Over Nickel
- Temperature Range : - 25 /+90 Deg C

HC-068SH8FXB4N4

F=8p8c

Gold plated	1=15u , 3=50u
	2=30u , 4= 6 u

HO CHIEN

www.hochien.com

TITLE

RJ45 SIDE ENTRY SHIELDED PCB JACK
UL & cUL FILE NO. E131820

MODULAR JACKS ASSY FOR
HC-068SH8FXB4N4

SCALE SIZE DWG. NO. 9715S SERIES

NOT SCALED DRAWING	TOLERANCE UNLESS OTHERWISE NOTICE	INCH	MM	DR.	DATE
 THIRD ANGLE PROJECTION	LINEAR $\frac{MM}{INCH}$	00±0.01	00±0.25	Steven	AUG-18 '04
		000±0.005	000±0.13	CK'D	
		0000±0.002	0000±0.05	Johnn	AUG-18 '04
$\frac{MM}{INCH}$	ANGLE+0'30'	RADIL	+0.45 -0.15	APP'D Billy	AUG-18 '04

DWG. NO. **AS068007**