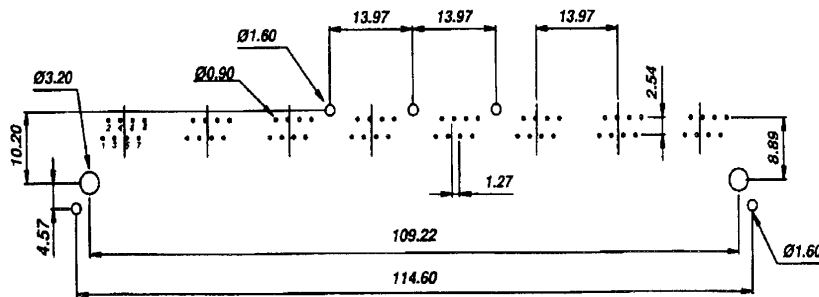
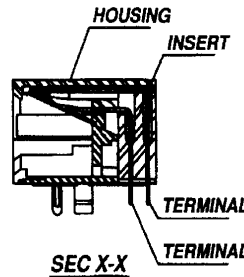
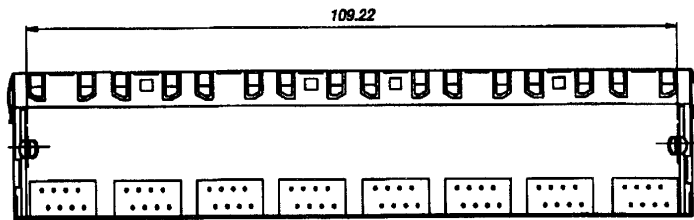
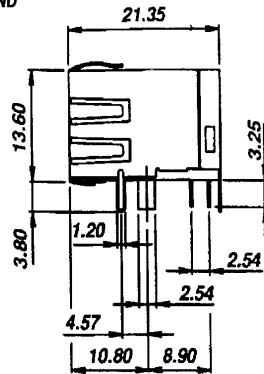
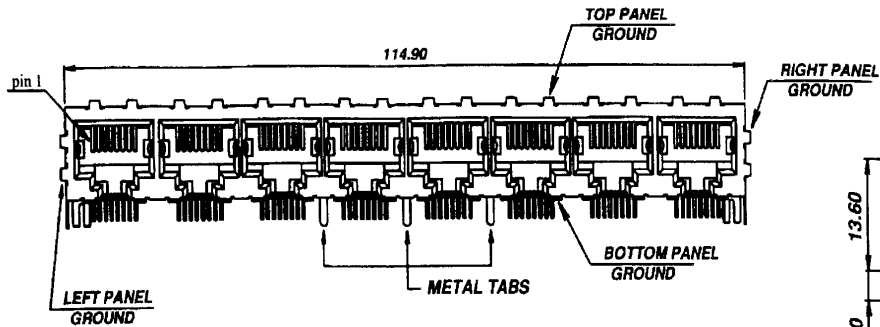
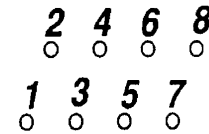


Modular Jack Assembly RJ45 Right Angle Catgory 5



PCB Layout



CATEGORY 5 PCB LAYOUT

SPECIFICATION :

1. Electrical Char.

- Insulation Resistance : 500M-Ohm Min.
- Contact Resistance : 20milli-Ohm Max.
- Rating Current : 1.5A Max.
- Rating Voltage : 120V AC.
- Dielectric Voltage : 1,000 Vrms 60 Sec. Min.

2. Physical char.

- Housing : PBT 20% Glass Filled (UL 94V-0)
- Color : Black Color
- Spring Wire : 0.35mm Thickness Phosphor Bronze over Plating Nickel and with 50u gold plated
- Temperature Range : - 25 /+90 Deg C
- Durability : 500 Mating cycles Min.

HC-041SH-8-F-N



N=3-A3-N5-C5

HO CHIEN
www.hochien.com

TITLE	1x8 8POSITIONS SIDE ENTRY SHIELDED PCB GANG JACK UL & cUL FILE NO. E131820		
	MODULAR JACKS ASSY FOR HC-041SH-8-F-3-A3-N5-C5		
	SCALE SIZE DWG. NO. 9690S SERIES		

NOT SCALED DRAWING	TOLERANCE UNLESS OTHERWISE NOTICE	INCH	MM	DR. Steven	DATE MAR-31 '03
THIRD ANGLE PROJECTION	LINEAR	MM INCH	00±0.1 000±0.05 0000±0.02	CK'D Johnn	MAR-31 '03
	ANGLE +0°30'	RADIL	+0.45 -0.15	APP'D Billy	MAR-31 '03

DWG. NO. **AS041118**