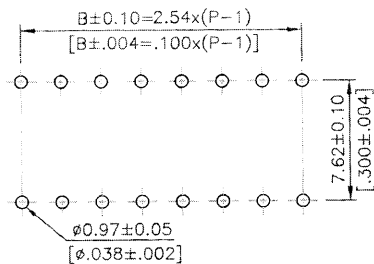
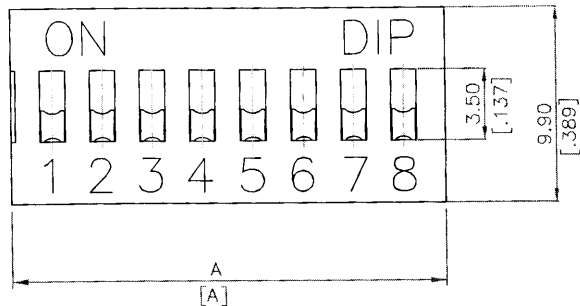


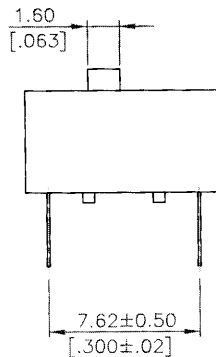
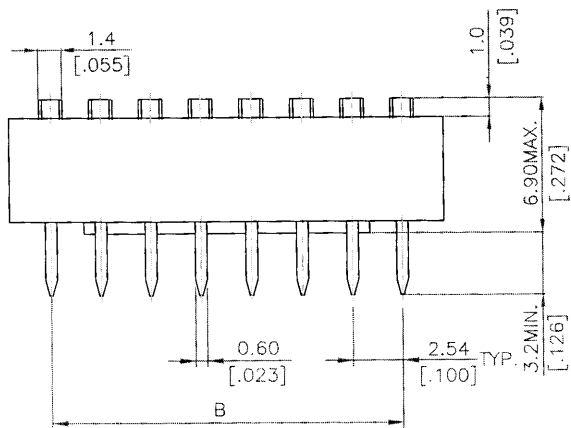
NOTE: 1. ALL DIMENSIONS ARE IN MILLIMETERS, BRACKETED DIMENSIONS ARE IN INCHES.

**2. GENERAL TOLERANCES: 10mm OVER - ± 0.20 mm.
10mm BELOW - ± 0.10 mm.**

3. MATERIAL: SEE PAGE 3 OF 3.



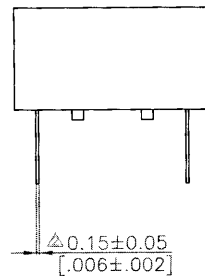
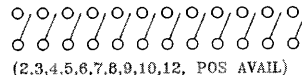
P.C.B. LAYOUT



DS SERIES

DS -12 DSR-12	12	31.84[1.254]	27.94[1.100]
DS -10 DSR-10	10	26.76[1.054]	22.86[.900]
DS -09 DSR-09	9	24.22[.954]	20.32[.800]
DS -08 DSR-08	8	21.68[.854]	17.78[.700]
DS -07 DSR-07	7	19.14[.754]	15.24[.600]
DS -06 DSR-06	6	16.60[.654]	12.70[.500]
DS -05 DSR-05	5	14.06[.554]	10.16[.400]
DS -04 DSR-04	4	11.52[.454]	7.62[.300]
DS -03 DSR-03	3	8.98[.354]	5.08[.200]
DS -02 DSR-02	2	6.44[.254]	2.54[.100]
PROD. NO.	NO. OF POS.	DIM. A	DIM. B

SCHEMATIC(TYP.)



DSR SERIES

APPROVED	DATE	DESCRIPTION	REV.
DESIGNED	DATE	DESCRIPTION	REV.
DWG. NO.	DATE	DESCRIPTION	REV.
ZONE	REV.	DESCRIPTION	DATE

APPROVED	DATE	DESCRIPTION	REV.
DESIGNED	DATE	DESCRIPTION	REV.
DWG. NO.	DATE	DESCRIPTION	REV.
ZONE	REV.	DESCRIPTION	DATE

HO CHIEN
www.hochien.com

PART NAME:	SLIDE TYPE DIP SWITCH
DWG. NO.:	R D I P 8