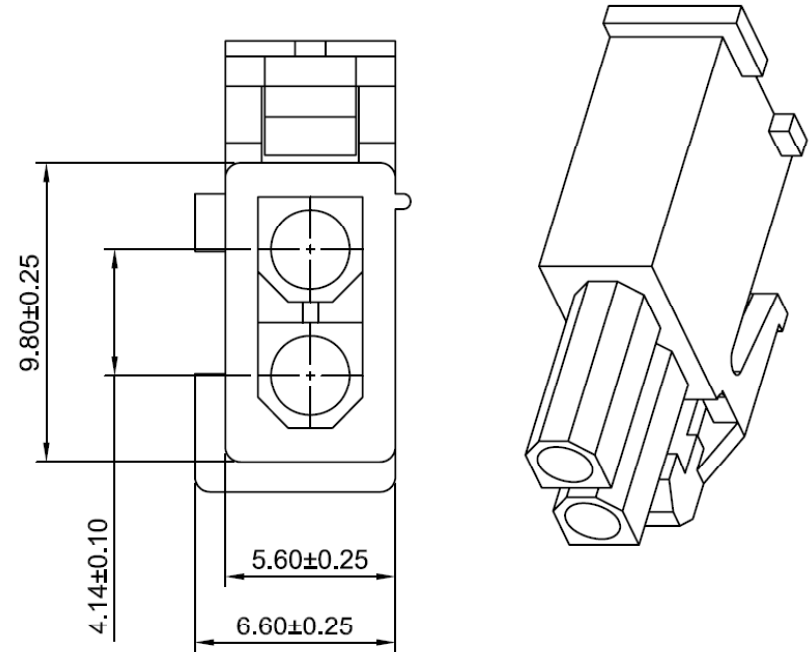
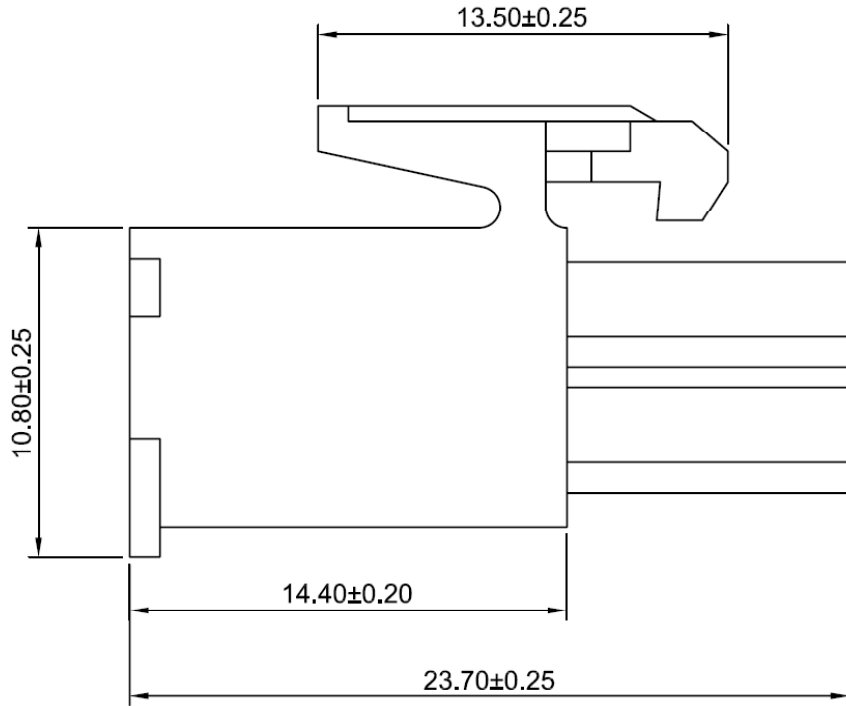


SPECIFICATIONS:

Current Rating: 9.5A AC,DC
 Voltage Rating: 600V AC,DC
 Temperature Range: -40°C ~ +105°C
 Contact Resistance: 10mΩ Max
 Insulation Resistance: 1000MΩ Min
 Withstanding Voltage: 1500V AC/minute
 Material: Nylon 66,UL94V-2(Natural)



			HO CHIEN www.hochien.com		
Unit		Scale	Sheet		Title :
mm		1:1	1 of 1		
Draw BY:		Approved :		4.14mm PITCH HOUSING	
LIZQ		GONGYB			
			General Tolerance		
			ANGLE±		
AO	NEW RELEEASE	2009.05.10			DRAW NO : 4140HF-2P
REV	DESCRIPTION	DATE			