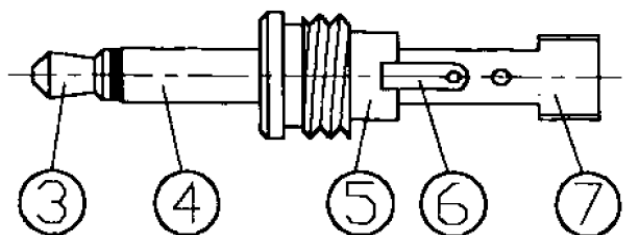
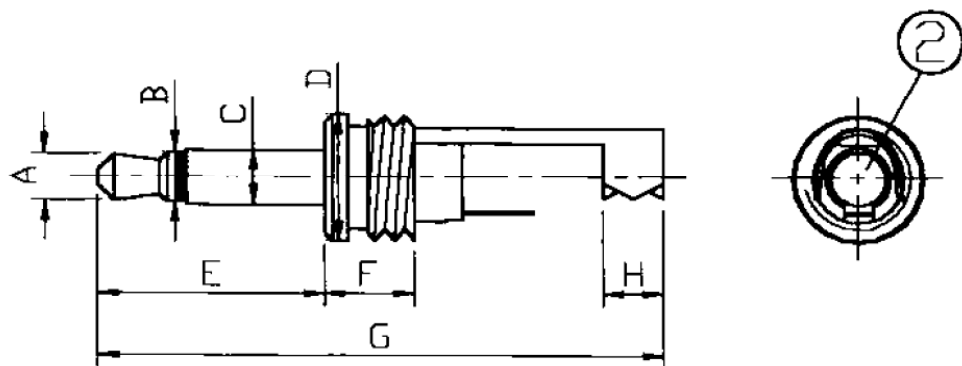


A	$\phi 3 \pm 0.1$	G	$35.1 \pm 0.1$
B	$\phi 3.2 \pm 0.05$	H	3.8
C	$\phi 3.5 \pm 0.05$	I	$10.2 \pm 0.1$
D	$\phi 8$	J	$37.6 \pm 0.3$
E	14.2	K	$52.3 \pm 0.3$
F	5.5		



7	BIG COPPER SLICE	BRONZE	GOLD PLATING	
6	SMALL SOLDER SLICE	BRONZE	GOLD PLATING	
5	WHITE GRANULE	POM	WHITE	
4	COPPER TUBE & HEAD	BRONZE	GOLD PLATING	
3	PEARL HEAD	BRONZE	GOLD PLATING	
2	IRON TACK	BRONZE	GOLD PLATING	
1	ANISE SHAPED SHELL	PE-208	BLACK	
NO	DESCRIPTION	MATERIAL	DISPOSE	REMARK

Ho Chien

TITLE

3.5MM MONO  
PLUG

ITEM

8609-G

UNIT

mm

SCALE

2:1

DATE

910319

DRAWER