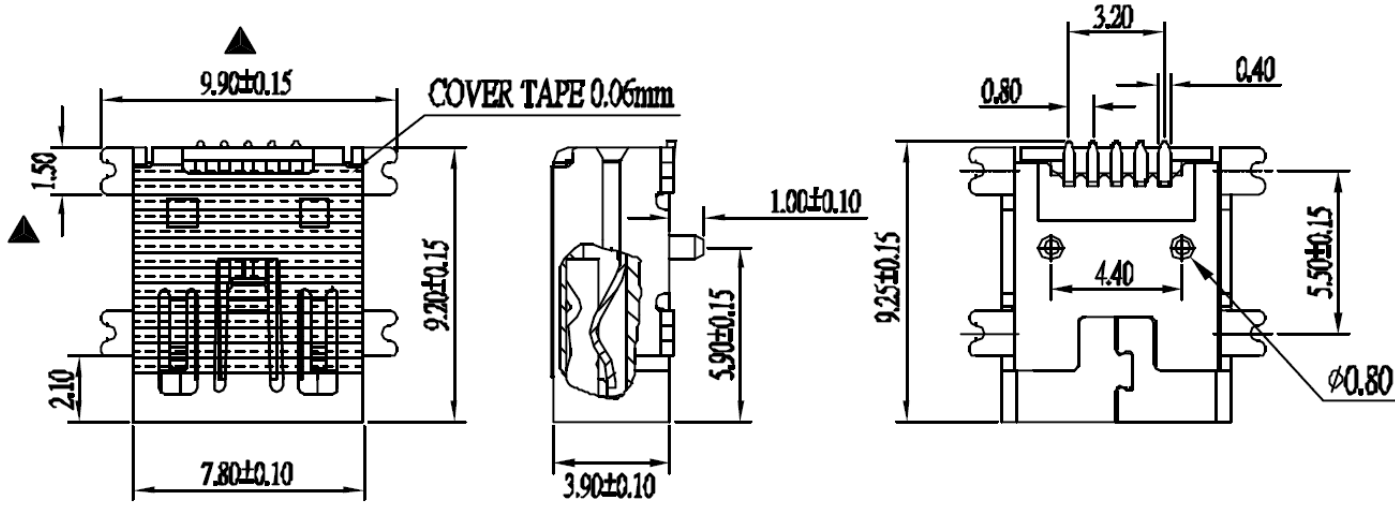
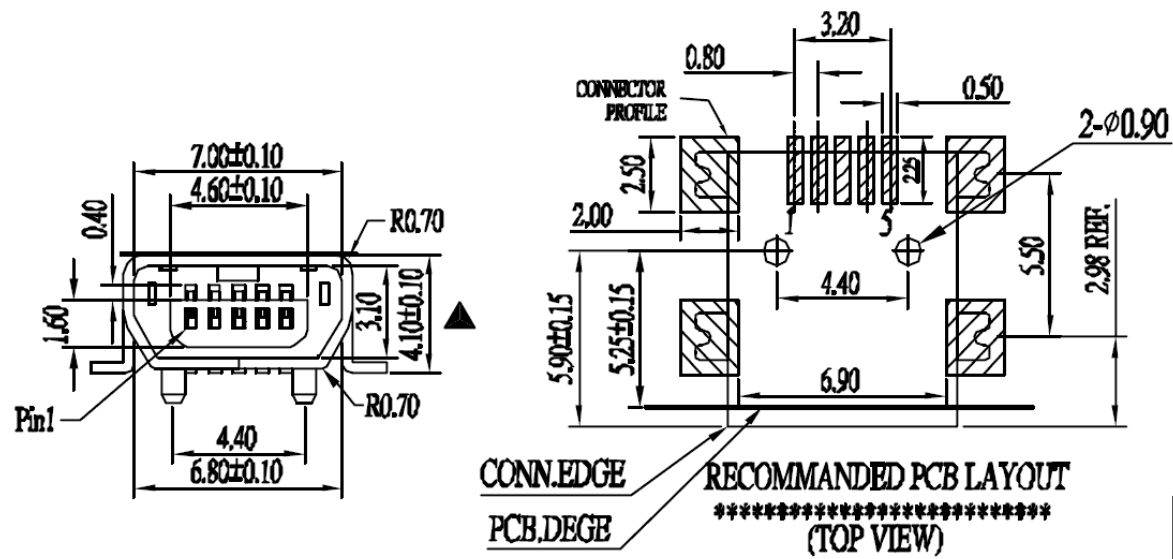


REV.	ECN NO	LOCATIONS	DESCRIPTION	DATE	REVISER	APPD
A1	▲	▲	依實物修改	2005/08/23	常各	



Note:

1. Material:
 - 1.1 Insulator: L.C.P UL 94-V0 rated.
 - 1.2 Contact: Phosphor bronze, t=0.25mm.
 - 1.3 Shell: Phosphor bronze, t=0.40mm.
2. Specification:
 - 2.1 Current rating: 1 A Max.
 - 2.2 Dielectric withstanding voltage: 500 V(ac) for 1 minute.
 - 2.3 Contact resistance: 30 mW Max.
 - 2.4 Insulation resistance: 1000 MW Min at DC 500V.
 - 2.5 Total mating force: 3.57 Kgf Max.
 - 2.6 Total unmating force: 0.71 Kgf Min.
 - 2.7 Temperature range: -55°C~+105°C



3. Finishes:

- 3.1 contacts: Gold flashed 1u", 3u", 5u", 10u", 15u", 30u".
- 3.2 shell: Nickel or Tin plated.

No.	Name	Qty	Material	Remarks & Thickness	Finish
3	Shell	1	Phosphor bronze	T=0.40mm	Nickel or Tin Plated
2	Contact	5	Phosphor bronze	T=0.25mm	Gold Flashed
1	Housing	1	LCP	UL 94-V0	Black/Ivory

PART NO:		MATERIAL:		HO CHIEN www.hochien.com	
MODEL NO:		FINISH:			
UNIT: mm	SIZE: A4	COLOR:		PART NAME: MINIUSB-SPIN(P) AB TYPE S.M.T	
TOLERANCE UNSPECIFIED		DR: 黃義強 05/09/09		MUSB-AB5FA15G-M	
.x	±0.20	CHK: Song 05/09/09		DWG NO:	
.xx	±0.10	APP: Kent 05/09/09		REV: A1	
.xxx	±0.05			SCALE: 4:1	SHEET: 1 of 1
ANG.	±1°				