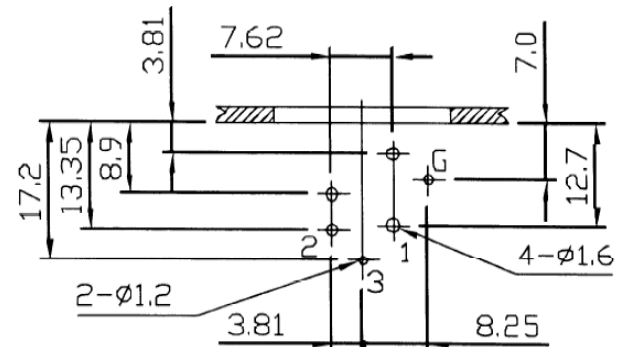


PANEL CUT OUT(±0.1)
(FRONT SIDE)



P.C.B LAYOUT(±0.1)
(BOTTOM VIEW)

HO CHIEN

5						REVISION
4	SLEEVE	1	P.B.S	SILVER		2<06/20/02>
3	BODY	1	PA66-94HB/G30		BLACK	
2	PUSH	1	SK7	Nickel		
1	CONTACT	3	P.B.S	GOLD 2µ'		
NO	PART NAME	Q'TY	MATERIAL	PLATED	COLOR	

TOLERANCE	PART NAME		XLR CONNECTOR (FEMALE)			
X. ±0.6	PART NO. LX-1604H-3		SCALE: 1.8/1 UNIT DATE DRAW CHECK APPROVE			
XX ±0.3						
XXX ±0.15						
M/M	10/23/00'	LEE WEN-CHENG				