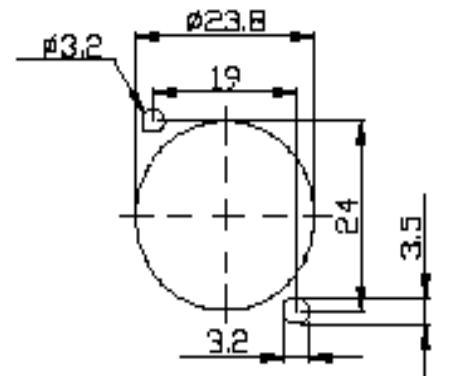


P.C.B. LAYOUT(±0.1)  
(BOTTOM VIEW)



PANEL CUT OUT(±0.05)  
(FRONT SIDE)

5					
4					
3	BODY	1	PA66-94HB/G30	BLACK	
2	PUSH	1	SK7	BLACK	
1	CONTACT	3	P.B.S	GOLD 2U'	
NO	PART NAME	Q'TY	MATERIAL	PLATED	COLOR

REVISION  
2(06/20/02')

<b>HO CHIEN</b>					
TOLERANCE		PART NAME XLR CONNECTOR			
X	±0.6	PART NO.		LX-1602-3	
XX	±0.3				
YYY	±0.15				
SCALE: 1.0/1	UNIT	DATE	DRAW	CHECK	APPROVE
⊕	M/M	06/20/97'	LEE CHENG		