

.049"(1.25mm) ZIF FPC/FFC Top Entry Dip Type

Specifications:

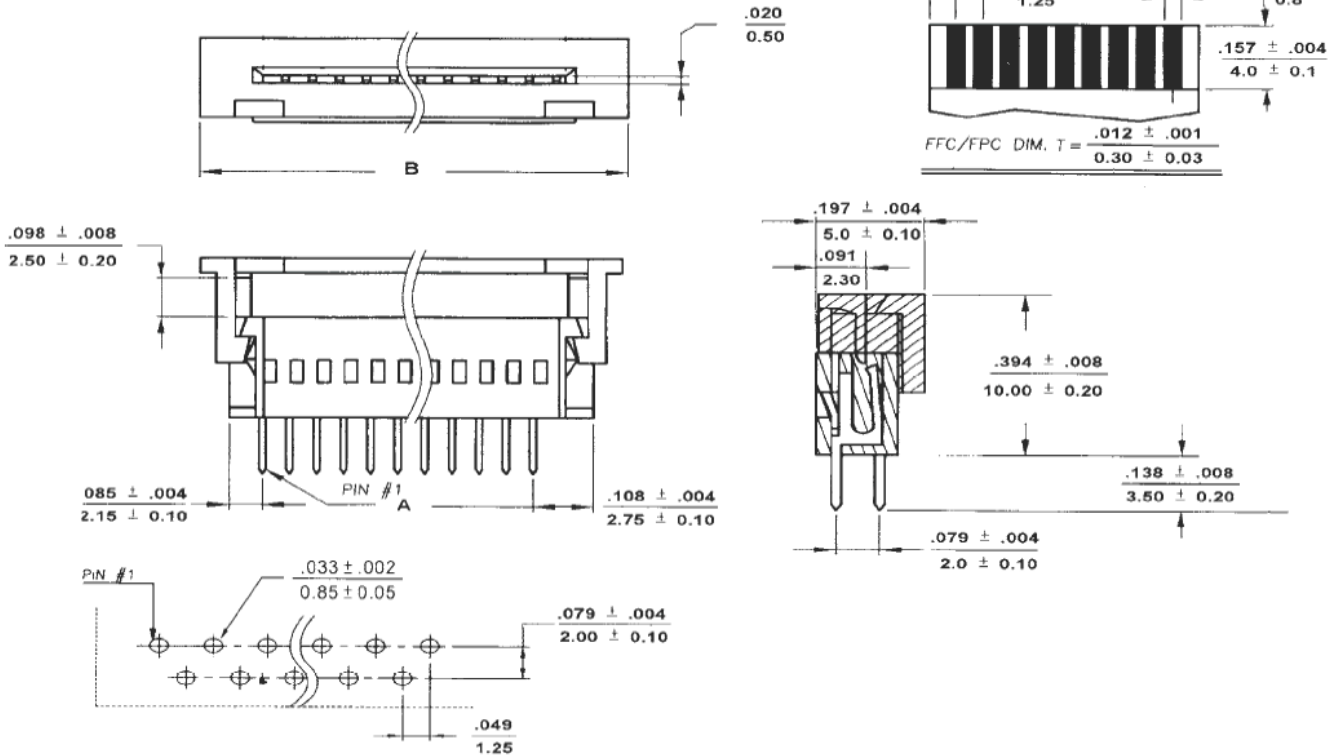
- Current rating: 1A Max.
- Contact resistance: 20 mΩ Max. at DC 100mA
- Insulation resistance: 5000MΩ Min. at DC 500V
- Temperature range: - 55 °C ~ +105 °C

HCA7909-xx-0 Series

Top Entry

inches
mm

- 3~40 circuits available
- Material : 30% Glass filled P.B.T. UL 94V-0
- Tin-plated phosphor bronze
- Packing: Tube



Dimensional Information - in (mm)

Circuits	Dim. A	Dim. B	Circuits	Dim. A	Dim. B	Circuits	Dim. A	Dim. B
3	0.098 (2.50)	0.372 (9.45)	16	0.738 (18.75)	1.012 (25.70)	29	1.378 (35.00)	1.652 (41.95)
4	0.148 (3.75)	0.421 (10.70)	17	0.787 (20.00)	1.061 (26.95)	30	1.427 (36.25)	1.701 (43.20)
5	0.197 (5.00)	0.470 (11.95)	18	0.837 (21.25)	1.110 (28.20)	31	1.476 (37.50)	1.750 (44.45)
6	0.246 (6.25)	0.520 (13.20)	19	0.886 (22.50)	1.159 (29.45)	32	1.526 (38.75)	1.799 (45.70)
7	0.295 (7.50)	0.569 (14.45)	20	0.935 (23.75)	1.209 (30.70)	33	1.575 (40.00)	1.848 (46.95)
8	0.344 (8.75)	0.618 (15.70)	21	0.984 (25.00)	1.258 (31.95)	34	1.624 (41.25)	1.898 (48.20)
9	0.394 (10.00)	0.667 (16.95)	22	1.033 (26.25)	1.307 (33.20)	35	1.673 (42.50)	1.947 (49.45)
10	0.443 (11.25)	0.717 (18.20)	23	1.083 (27.50)	1.356 (34.45)	36	1.722 (43.75)	1.996 (50.70)
11	0.492 (12.50)	0.766 (19.45)	24	1.132 (28.75)	1.406 (35.70)	37	1.772 (45.00)	2.045 (51.95)
12	0.541 (13.75)	0.815 (20.70)	25	1.181 (30.00)	1.455 (36.95)	38	1.821 (46.25)	2.094 (53.20)
13	0.591 (15.00)	0.864 (21.95)	26	1.230 (31.25)	1.504 (38.20)	39	1.870 (47.50)	2.144 (54.45)
14	0.640 (16.25)	0.913 (23.20)	27	1.280 (32.50)	1.553 (39.45)	40	1.919 (48.75)	2.193 (55.70)
15	0.689 (17.50)	0.963 (24.45)	28	1.329 (33.75)	1.602 (40.70)			