

**SPECIFICATION :**

**1. Electrical Char.**

Insulation Resistance : 500M-Ohm Min.  
 Contact Resistance : 20milli-Ohm Max.  
 Rating Current : 1.5A Max.  
 Rating Voltage : 120V AC.  
 Dielectric Voltage : 1,000 Vrms 60 Sec. Min.

**2. Physical char.**

Housing (Option) :

PBT Glass Filled (UL 94V-0), Soldering Temperature:235°C

Nylon (UL 94V-0), Soldering Temperature:260°C

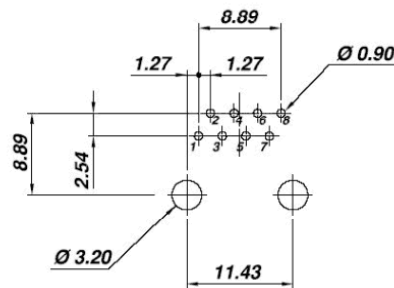
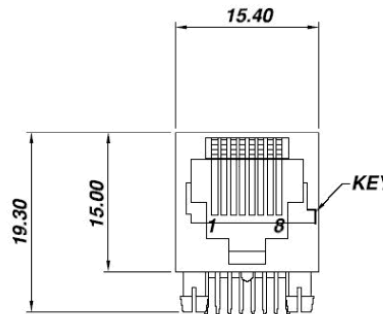
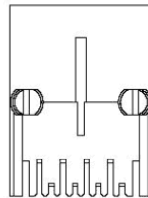
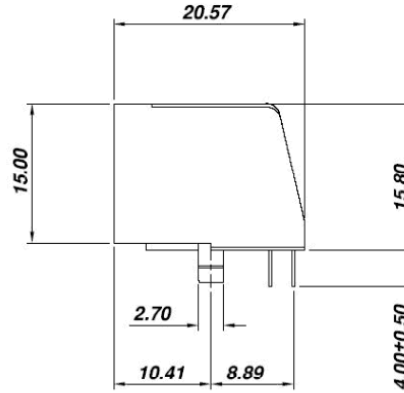
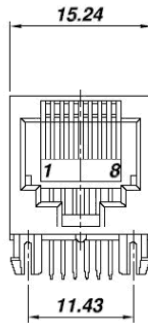
Color : Black Color

Spring Wire:

0.35mm Thickness Phosphor bronze Gold Plating Over Nickel

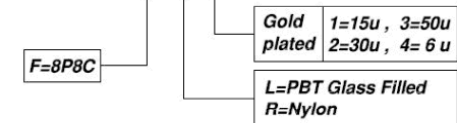
Temperature Range : - 40°C / +85°C

Durability : 500 Mating cycles Min.



**PCB LAYOUT**  
(Top View)

**HC-004-8-F-XX-N**



**HO CHIEN**  
www.hochien.com

TITLE

**RJ45 SIDE ENTRY PCB JACK**  
UL & cUL FILE NO. E131820

**MODULAR JACKS ASSY FOR**  
**HC-004-8-F-XX-N**

SCALE SIZE DWG. NO. 9658 SERIES

NOT SCALED DRAWING	TOLERANCE UNLESS OTHERWISE NOTICE	INCH	MM	DR.	DATE
THIRD ANGLE PROJECTION	LINEAR $\frac{MM}{INCH}$	00±0.01 000±0.005 0000±0.002	00±0.25 000±0.13 0000±0.05	Steven CK'D John APP'D Billy	DEC-03 '07 DEC-03 '07 DEC-03 '07
$\frac{MM}{INCH}$	ANGLE +0°30'	RADIL	+0.45 -0.15		

DWG. NO.

**AST004006-1**