

REV	ECO	DESCRIPTION	DRFT	CHKD

NOTES:

MATERIAL :

- | | |
|--------------------|--|
| 1.HOUSING MATERIAL | :GLASS FILLED POLYESTER UL94V-0. |
| 2.CONTACT MATERIAL | :PHOSPHOR BRONZE $\phi 0.46\text{mm}$. |
| 3.PLATING | :GOLD PLATING OVER NICKEL. |
| 4.SHIELD | :0.23mm THICKNESS COPPER ALLOY WITH NICKEL PLATED. |
| 5.LED | :OPTION |

ELECTRICAL:

- | | |
|--------------------------------------|------------------------------|
| 1.VOLTAGE RATING | :125 VAC RMS. |
| 2.CURRENT RATING | :1.5 AMP. |
| 3.CONTACT RESISTANCE | :30 MILLIOHMS MAX. |
| 4.INSULATION RESISTANCE | :500 MEGOHMS MIN @ 500V DC . |
| 5.DIELECTRIC WITHSTANDING RESISTANCE | :1000V AC RMS 50Hz. 1MIN. |

MECHANICAL:

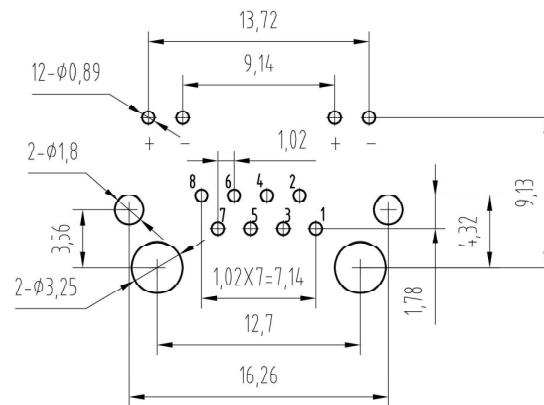
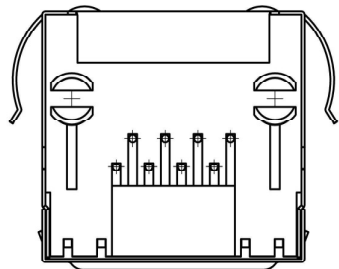
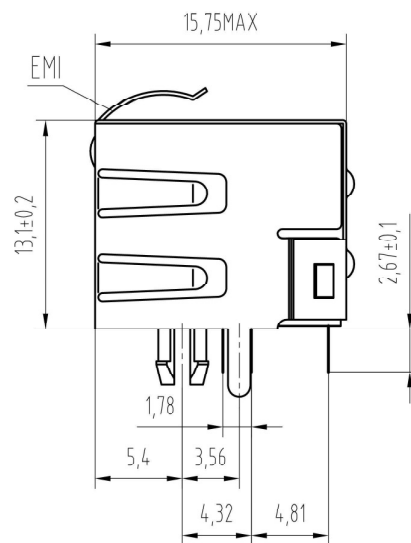
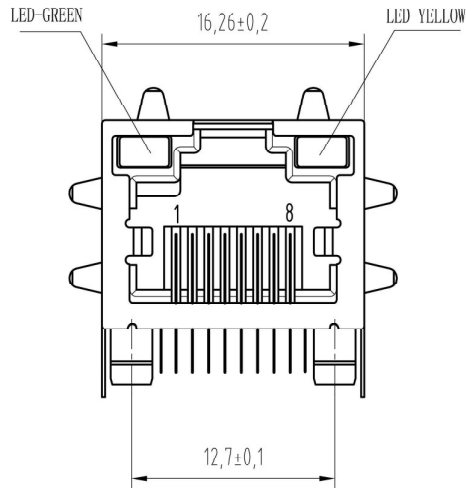
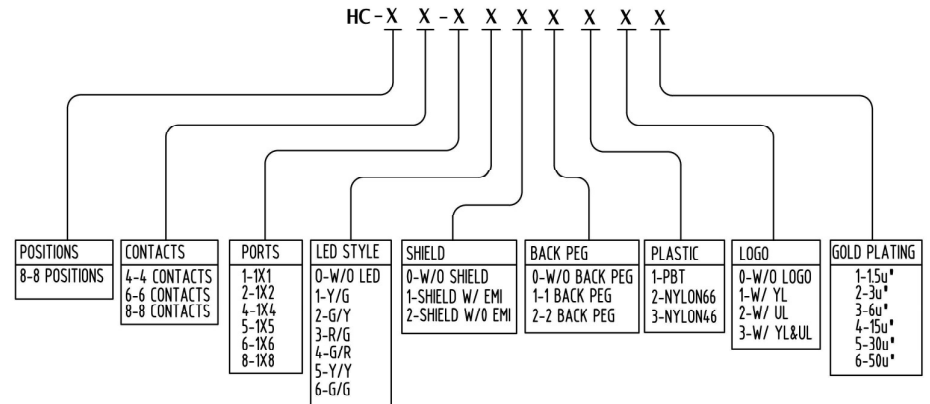
- | | |
|----------------------------|------------------|
| 1.DURRABILITY | :750 CYCLES MIN. |
| 2.PCB RETENTION PRE-SOLDER | :1 LB MIN. |

ENVIRONMENTAL:

- | | |
|--------------|----------------|
| 1. STORAGE | : -40°C~+85°C |
| 2. OPERATION | : 0°C TO 70°C. |

PART NUMBER:

HC-X X-X X X X X X X X



PC Board Layout
Component Side Shown

<p>DETAILS LISTS</p> <p>TOLERANCES EXCEPT AS NOTED</p> <p>MH ± 0.15</p> <p>.00 ± 0.075</p> <p>.000 ± 0.05</p> <p>ANGLES ± 0.5</p> <p>THIRD ANGLE PROJECTION</p>	<p>MM (INCH)</p> <p>DFD DESIGNER DATE</p> <p>CHKD DATE</p> <p>MFR DATE</p> <p>APPLV DATE</p>	<p>Ho Chien</p> <p>www.hochien.com</p>		
	<p>MATERIAL :</p> <p>QTY :</p> <p>FINISH :</p> <p>SCALE :</p>		<p>TITLE</p> <p>RJ5 SIDE ENTRY SHIELD W/FLANGS GRN/YLW LED</p>	
	<p>DRAWING NO.</p> <p>/PART NO.</p>		<p>SIZE</p> <p>A3</p>	<p>REV</p> <p>0</p>
	<p>DO NOT SCALE DRAWING</p>		<p>TITLE</p> <p>SHEET X OF Y</p>	