

SPECIFICATION :

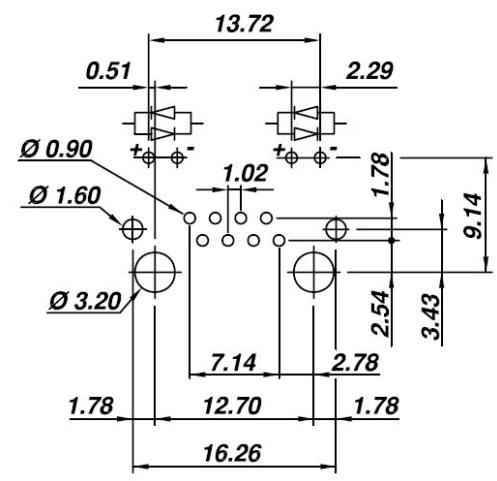
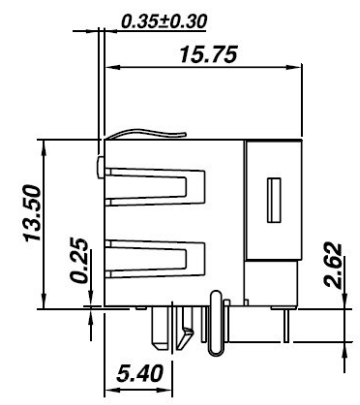
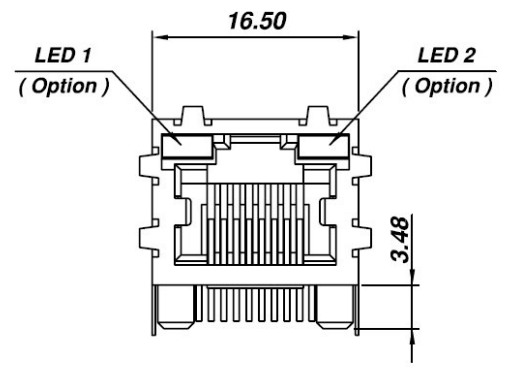
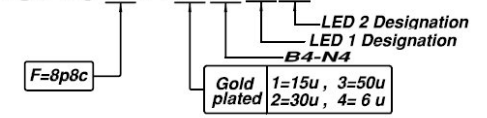
1. Electrical Char.

- Insulation Resistance : 500M-Ohm Min.
- Contact Resistance : 20milli-Ohm Max.
- Rating Current : 1.5A Max.
- Rating Voltage : 120V AC.
- Dielectric Voltage : 1,000 Vrms 60 Sec. Min.

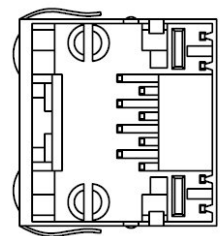
2. Physical char.

- Housing : Nylon (UL 94V-0)
Nylon 46 Temperature 260C
- Color : Black Color
- Spring Wire : 0.35mm Thickness Phosphor Bronze
Gold Plating Over Nickel
- Temperature Range : - 40°C / +85°C
- Durability : 500 Mating cycles Min.

HC-068SH8FRXBXX



PCB LAYOUT
(Top View)



LED Designation :					
Code	Forward	Reverse	Code	Forward	Reverse
G	Green	—	4	Yellow	Red
Y	Yellow	—	5	Green	Yellow
R	Red	—	6	Yellow	Green
O	Orange	—	9	Red	Green
3	Green	Red	0	Red	Yellow

HO CHIEN

www.hochien.com

TITLE

RJ45 SIDE ENTRY SHIELDED PCB JACK

UL & cUL FILE NO. E131820

**MODULAR JACKS ASSY FOR
HC-068SH8FRXB4N4XX**

SCALE SIZE DWG. NO. 9715S SERIES

DWG. NO.	NOT SCALED DRAWING	TOLERANCE UNLESS OTHERWISE NOTICE	INCH	MM	DR.	DATE
	THIRD ANGLE PROJECTION	LINEAR $\frac{MM}{INCH}$	00±0.01 000±0.005 0000±0.002	00±0.25 000±0.13 0000±0.05	Steven CK'D	APR-12 '07
	$\frac{MM}{INCH}$	ANGLE +0°30'	RADIL	+0.45 -0.15	John APP'D	APR-12 '07
AS068202-1				Billy	APR-12 '07	