

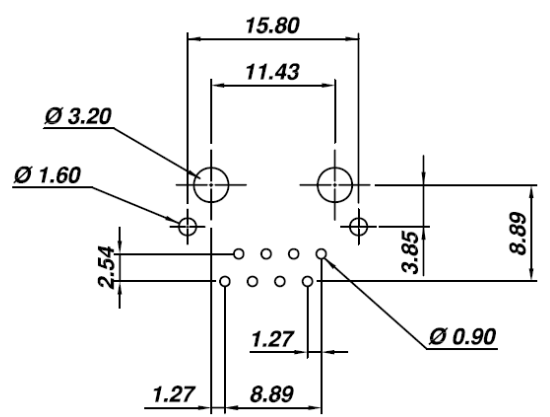
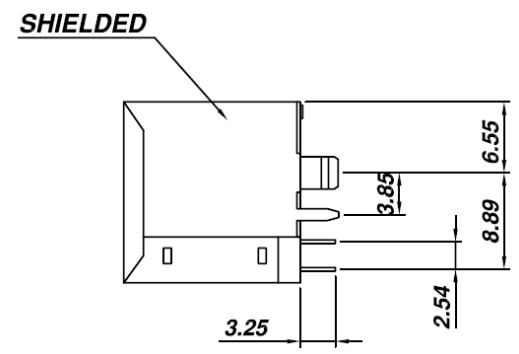
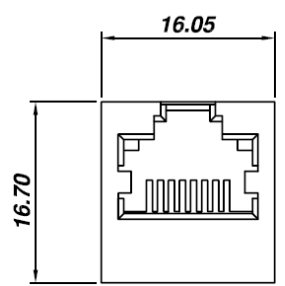
**SPECIFICATION :**

**1. Electrical Char.**

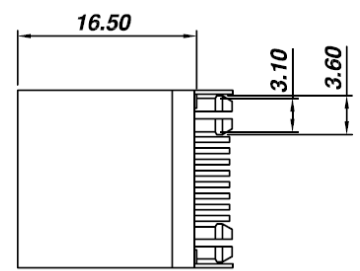
- Insulation Resistance : 500M-Ohm Min.
- Contact Resistance : 20milli-Ohm Max.
- Rating Current : 1.5A Max.
- Rating Voltage : 120V AC.
- Dielectric Voltage : 1,000 Vrms 60 Sec. Min.

**2. Physical char.**

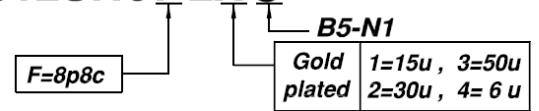
- Housing : PBT Glass Filled (UL 94V-0)
- Color : Black Color
- Spring Wire : 0.35mm Thickness Phosphor Bronze  
Gold Plating Over Nickel
- Temperature Range : - 40°C / +85°C
- Durability : 500 Mating cycles Min.



**PCB LAYOUT**  
(Top View)



**HC-012SH9FLXC**



**HO CHIEN**

www.hochien.com

TITLE

**RJ45 TOP ENTRY SHIELDED PCB JACK**

UL & cUL FILE NO. E131820

**MODULAR JACKS ASSY FOR  
HC-012SH9FLXB5N1**

**SCALE SIZE DWG. NO. 9628-S SERIES**

NOT SCALED DRAWING	TOLERANCE UNLESS OTHERWISE NOTICE	INCH	MM	DR. <i>Steven</i>	DATE NOV-21 '06
THIRD ANGLE PROJECTION	LINEAR	MM INCH	00±0.01 000±0.005 0000±0.002	CK'D <i>John</i>	NOV-21 '06
	ANGLE +0°30'	RADIL	+0.45 -0.15	APP'D <i>Billy</i>	NOV-21 '06

DWG. NO. **AS012024C-3**