

SPECIFICATION :

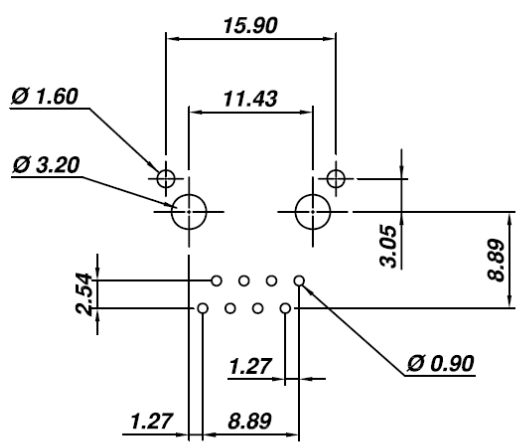
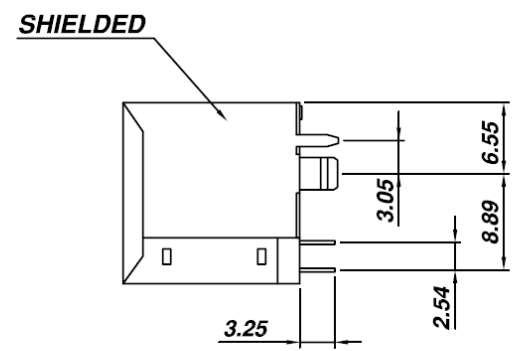
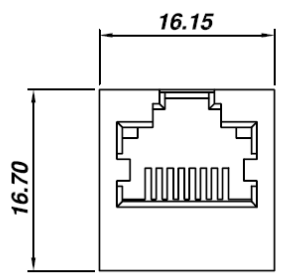
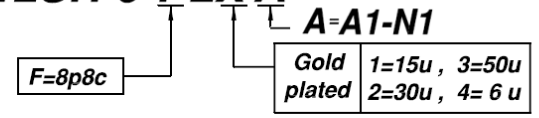
1. Electrical Char.

- Insulation Resistance : 500M-Ohm Min.
- Contact Resistance : 20milli-Ohm Max.
- Rating Current : 1.5A Max.
- Rating Voltage : 120V AC.
- Dielectric Voltage : 1,000 Vrms 60 Sec. Min.

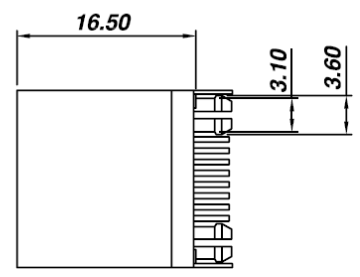
2. Physical char.

- Housing : PBT Glass Filled (UL 94V-0)
- Color : Black Color
- Spring Wire : 0.35mm Thickness Phosphor Bronze
Gold Plating Over Nickel
- Temperature Range : - 40°C / +85°C
- Durability : 500 Mating cycles Min.

HC-012SH-9-FLX A



**PCB LAYOUT
(Top View)**



<h1>HO CHIEN</h1>	
www.hochien.com	
TITLE	
RJ45 TOP ENTRY SHIELDED PCB JACK	
UL & cUL FILE NO. E131820	
MODULAR JACKS ASSY FOR	
HC-012SH-9-F-LX-A1-N1	
SCALE SIZE DWG. NO. 9628-S SERIES	

NOT SCALED DRAWING	TOLERANCE UNLESS OTHERWISE NOTICE	INCH	MM	DR.	DATE
 THIRD ANGLE PROJECTION	LINEAR $\frac{MM}{INCH}$	00 ± 0.01 000 ± 0.005 0000 ± 0.002	00 ± 0.25 000 ± 0.13 0000 ± 0.05	<i>Steven</i> CK'D <i>Johnn</i> APP'D <i>Billy</i>	MAR-01 '06 MAR-01 '06 MAR-01 '06
	ANGLE $+0^{\circ}30'$	RADIL	$+0.45$ -0.15		