

SPECIFICATION :

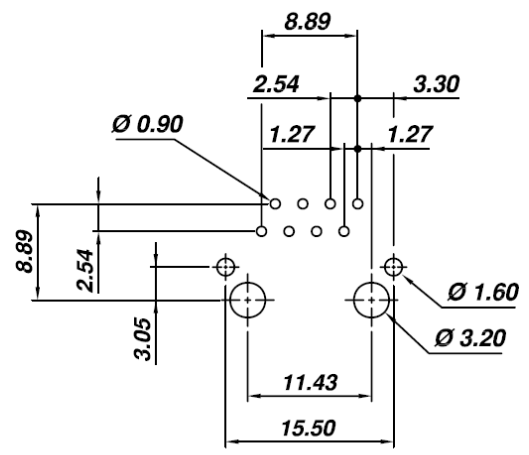
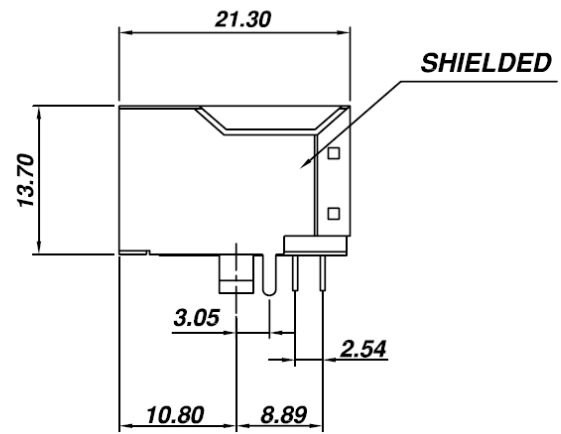
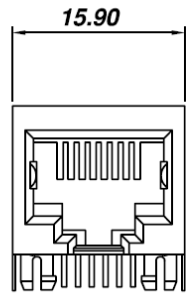
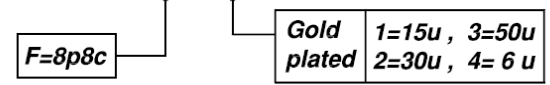
1. Electrical Char.

- Insulation Resistance : 500M-Ohm Min.
- Contact Resistance : 20milli-Ohm Max.
- Rating Current : 1.5A Max.
- Rating Voltage : 120V AC.
- Dielectric Voltage : 1,000 Vrms 60 Sec. Min.

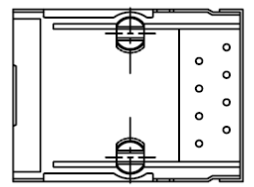
2. Physical char.

- Housing : PBT Glass Filled (UL 94V-0)
- Color : Black Color
- Spring Wire : 0.45mm Dia. Phosphor bronze
- Gold Plating Over Nickel
- Temperature Range : - 40°C / +85°C
- Durability : 500 Mating cycles Min.

HC-008SH8FLXB1N1



PCB LAYOUT
(Top View)



HO CHIEN www.hochien.com	
TITLE RJ45 SIDE ENTRY SHIELDED PCB JACK UL & cUL FILE NO. E131820	
MODULAR JACKS ASSY FOR HC-008SH8FLXB1N1	
SCALE SIZE DWG. NO. 9638S SERIES	

DWG. NO. **AS008016-1**

NOT SCALED DRAWING	TOLERANCE UNLESS OTHERWISE NOTICE	INCH	MM	DR.	DATE
 THIRD ANGLE PROJECTION	LINEAR MM INCH	00±0.01	00±0.25	<i>Steven</i>	JAN-25 '07
		000±0.005	000±0.13	CK'D	JAN-25 '07
		0000±0.002	0000±0.05	<i>John</i>	APP'D
MM INCH	ANGLE +0°30'	RADIL	+0.45 -0.15	<i>Billy</i>	JAN-25 '07