

SPECIFICATION :

1. Electrical Char.

- Insulation Resistance : 500M-Ohm Min.
- Contact Resistance : 20milli-Ohm Max.
- Rating Current : 1.5A Max.
- Rating Voltage : 120V AC.
- Dielectric Voltage : 1,000 Vrms 60 Sec. Min.

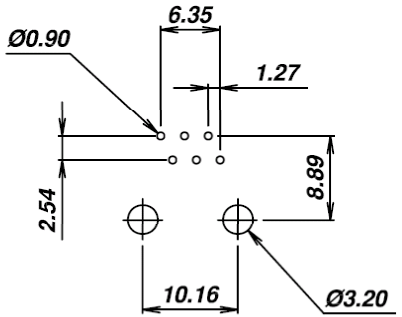
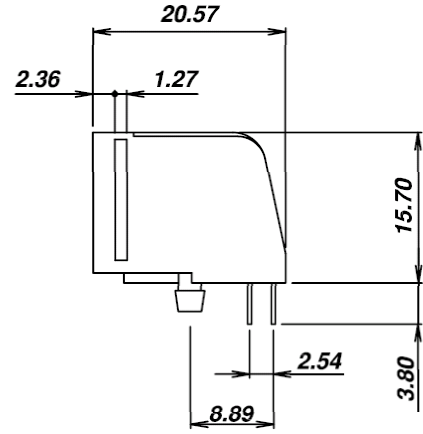
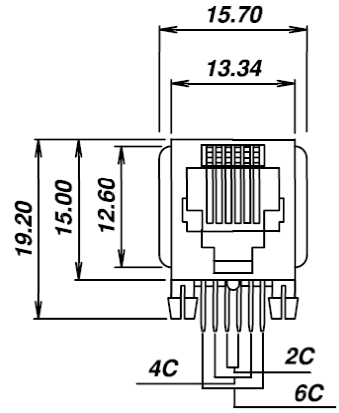
2. Physical char.

- Housing : PBT Glass Filled (UL 94V-0)
- Color : Black Color
- Spring Wire : 0.35mm Thickness Phosphor Bronze
Gold Plating Over Nickel
- Temperature Range : - 40°C / +85°C
- Durability : 500 Mating cycles Min.

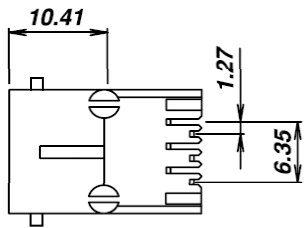
HC-005-6-X-LX

B=6p2c , C=6p4c
D=6p6c

Gold plated 1=15u , 3=50u
2=30u , 4= 6 u



PCB LAYOUT
(Top View)



HO CHIEN www.hochien.com	
TITLE RJ11 or RJ12 SIDE ENTRY PCB JACK UL & cUL FILE NO. E131820	
MODULAR JACKS ASSY FOR HC-005-6-X-LX	
SCALE SIZE DWG. NO.9602 SERIES	

DWG. NO. **AS005001-1**

NOT SCALED DRAWING	TOLERANCE UNLESS OTHERWISE NOTICE	INCH	MM	DR.	DATE
 THIRD ANGLE PROJECTION	LINEAR	MM INCH	00±0.01 000±0.005 0000±0.002	00±0.25 000±0.13 0000±0.05	Steven MAR-01 '06
	ANGLE +0°30'	RADIL	+0.45 -0.15	John APP'D Billy MAR-01 '06	MAR-01 '06