

SPECIFICATION :

1. Electrical Char.

- Insulation Resistance : 500M-Ohm Min.
- Contact Resistance : 20milli-Ohm Max.
- Rating Current : 1.5A Max.
- Rating Voltage : 120V AC
- Dielectric Voltage : 1,000 Vrms 60 Sec. Min.

2. Physical char.

- Housing : PBT Glass Filled (UL 94V-0)
- Color : Black Color
- Spring Wire : 0.35mm Thickness Phosphor Bronze
- Gold Plating Over Nickel
- Temperature Range : - 25 /+90 Deg C

HC-004-8k-F-X-N ← FLANGELESS

F=8p8c	Gold plated	1=15u , 3=50u 2=30u , 4= 6 u
--------	-------------	---------------------------------

HO CHIEN

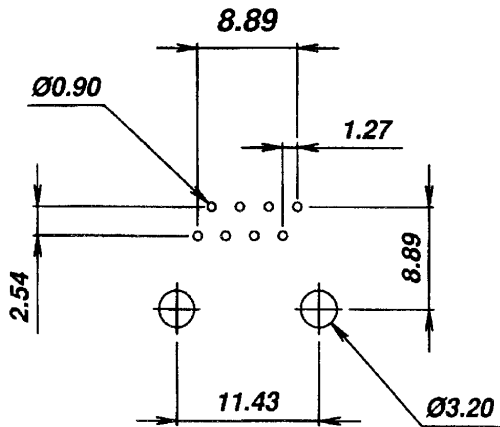
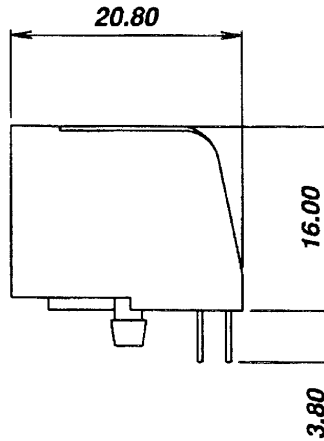
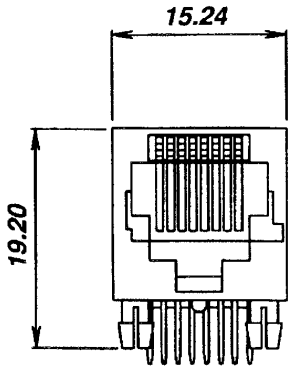
www.hochien.com

TITLE

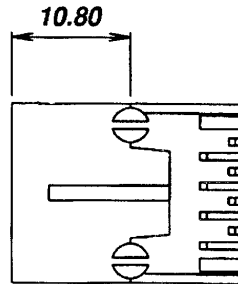
**RJ45 SIDE ENTRY PCB JACK
UL & cUL FILE NO. E131820**

**MODULAR JACKS ASSY FOR
HC-004-8k-F-X-N**

SCALE SIZE DWG. NO.9658 SERIES



**PCB LAYOUT
(Top View)**



NOT SCALED DRAWING	TOLERANCE UNLESS OTHERWISE NOTICE	INCH	MM	DR.	DATE
 THIRD ANGLE PROJECTION	LINEAR $\frac{MM}{INCH}$	00±0.01	00±0.25	CK'D	JUL-30 '04
		000±0.005	000±0.13	Johnn	JUL-30 '04
$\frac{MM}{INCH}$	ANGLE +J'30'	RADIL	+0.45 -0.15	APP'D	JUL-30 '04
				Billy	JUL-30 '04

DWG. NO.
AS004004