

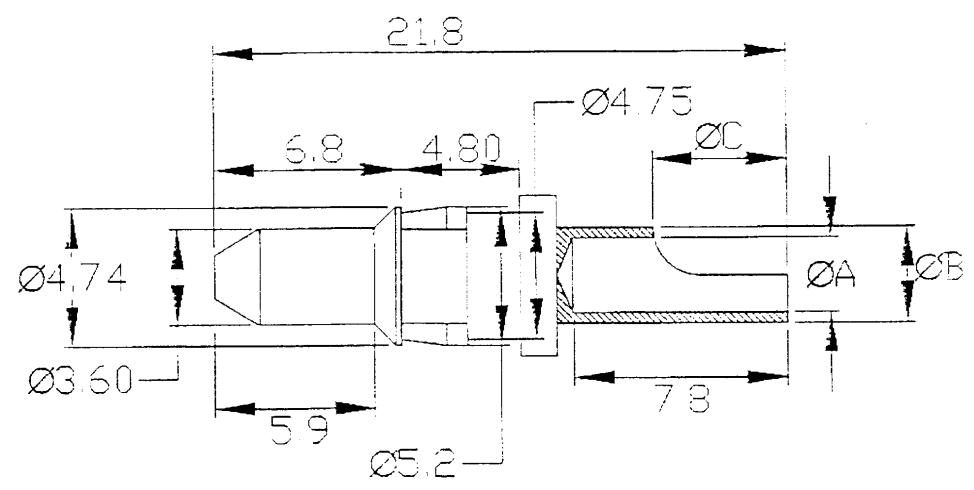
REVISION	DESCRIPTION	DATE	APPD
0	Set up	3/12/99'	CY

Power Coax Contact Coding System

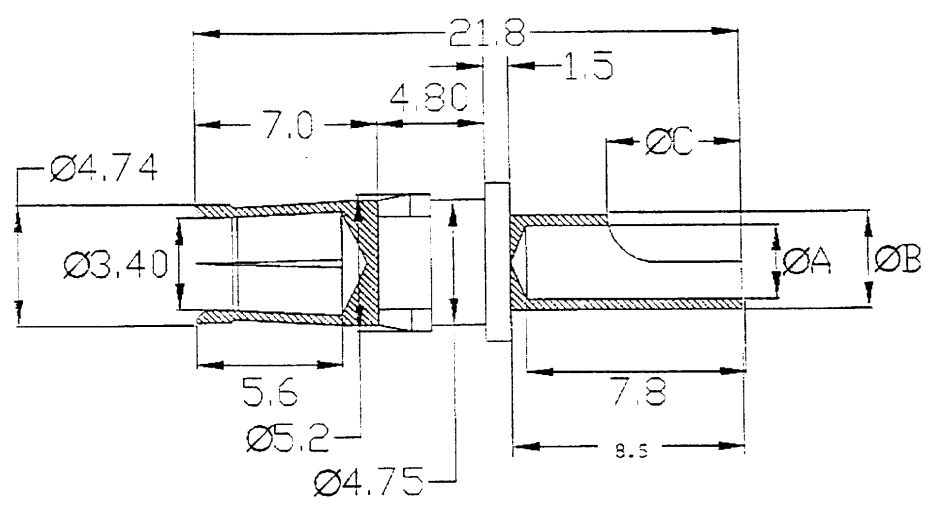
- CPT 1 - 2 - ff
- 1: P - Plug type
 - S - Receptacle Type
 - 2: 40 - 40A (for AWG #8)
 - 20 - 20A (for AWG #12)
 - 10 - 10A (for AWG #16)

ff: suffix number for special house control number.

Plug Type



Receptacle Type



NOTE I

MATERIAL

Body: Brass with Gold Plated.
 Lock link: Brass with Nickel Plated.

NOTE II

ELECTRICAL PERFORMANCE

Temperature: -55°C to +125°C

3.5	2.5	1.7	CPTS-10	4.5	2.5	1.7	CPTP-10
4.2	3.6	2.7	CPTS-20	5.0	3.6	2.7	CPTP-20
5.5	5.5	4.6	CPTS-40	5.5	5.5	4.6	CPTP-40
C	B	A	PART NUMBER	C	B	A	PART NUMBER

MATERIAL SEE NOTE I		DR Monica L.	HO CHIEN ENTERPRISE CO. LTD.			
		CHK Z T Chen				
ELECTRICAL PERFORMANCE SEE NOTE II		APPD C Y Lin	POWER CONTACT FOR D-SUB CONNECTOR COMBINATION; SOLDER TYPE PLUG, RECEPTACLE			
		Tolerance +/-0.1mm (.0039")				
UNIT mm	SCALE None	WEIGHT None	PAGE 1 OF 1	HO CHIEN P.N. NO CPTP, CPTS		