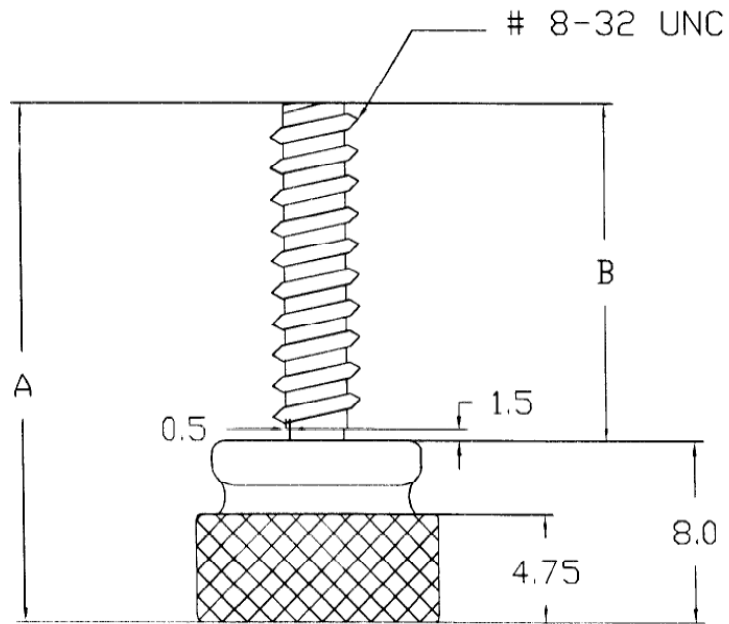


8-32 X

TYPE _____
 7/16 = 11X 19.1
 1/2 = 11X 20.7
 5/8 = 11X 23.7



MATERIAL & ELECTRICAL
 CONTACT : Brass

Tolerance : • 0.2 (mm)

Position	A	B
8-32 X 7/ 16	19.1	11.1
8-32 X 1/ 2	20.7	12.7
8-32 X 5/ 8	23.7	15.7

HO CHIEN	
TITLE Thumb Screw	
PAGE 1 OF 1	HO CHIEN P/N. 8 -32 SERIES

DR	CHK.	APPD
----	------	------