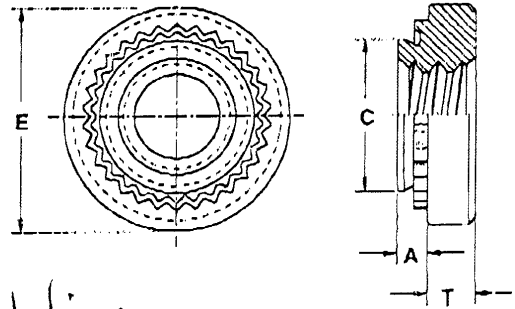


# STEEL AND STAINLESS STEEL NUTS (Unified) - TYPES S, SS, CLS, and CLSS



(Clenching profile may vary)

PEM FASTENERS is mfg. Co.

Z1 is zinc plating

All dimensions are in inches.

Thread Size	Type Fastener Material		Thread Code	Shank Code	A (Shank) Min.	Min. Sheet Thickness	Hole Size In Sheet $\pm .005$ $-.000$	C Max.	E $\pm .010$	T $\pm .010$	Min. Dist. Hole C/L To Edge (1)
	Carbon Steel	Stainless Steel									
.006-56 (#2-56)	S	CLS	256	0	.030	.030	166	.165	.25	.07	.19
				1	.038	.040					
				2	.054	.056					
.099-18 (#3-18)	S	CLS	348 <sup>NS</sup>	0	.030	.030	166	.165	.25	.07	.19
				1	.038	.040					
				2	.054	.056					
.112-10 (#1-10)	S	CLS	440	0	.030	.030	166	.165	.25	.07	.13
				1	.038	.040					
				2	.054	.056					
				3	.087	.091					
.138-32 (#8-32)	S	CLS	632	0	.030	.030	167.5	.167	.28	.07	.23
				1	.038	.040					
				2	.054	.056					
				3	.087	.091					
.164-32 (#8-32)	S	CLS	832	0	.030	.030	213	.212	.31	.09	.27
				1	.038	.040					
				2	.054	.056					
				3	.087	.091					
.190-24 (#10-24)	SS	CLSS	024	0	.030	.030	250	.249	.34	.09	.25
				1	.038	.040					
				2	.054	.056					
				3	.087	.091					
.190-32 (#10-32)	SS	CLSS	032	0	.030	.030	250	.249	.34	.09	.23
				1	.038	.040					
				2	.054	.056					
				3	.087	.091					
216-24 (#12-24)	S	CLS	1224	1 <sup>NS</sup>	.038	.040	277	.276	.38	.13	.31
				2	.054	.056					
				3	.087	.091					
250-20 (1/4-20)	S	CLS	0420	0	.045	.047	344	.343	.44	.17	.34
				1	.054	.056					
				2	.087	.091					
				3	.120	.125					
250-28 (1/4-28)	S	CLS	0428	1	.054	.056	344	.343	.44	.17	.34
				2	.087	.091					
				3 <sup>NS</sup>	.120	.125					
313-18 (5/16-18)	S	CLS	0518	1	.054	.056	413	.412	.50	.23	.38
				2	.087	.091					
				3	.120	.125					
313-24 (5/16-24)	S	CLS	0524 <sup>NS</sup>	1	.054	.056	413	.412	.50	.23	.38
				2	.087	.091					
				3	.120	.125					
375-16 (3/8-16)	S	CLS	0816	1	.087	.091	500	.499	.56	.27	.44
				2	.120	.125					
				3	.235	.250					
375-24 (3/8-24)	S	CLS	0824 <sup>NS</sup>	1	.087	.091	500	.499	.56	.27	.44
				2	.120	.125					
				3	.235	.250					
500-13 (1/2-13)	S	CLS <sup>NS</sup>	0813	1	.120	.125	656	.655	.81	.36	.63
				2	.235	.250					
500-20 (1/2-20)	S	CLS <sup>NS</sup>	0820	1	.120	.125	656	.655	.81	.36	.63
				2	.235	.250					

S440-0-Z1



UNIFIED

(1) For closer distances consult our Engineering Department.  
(NS) Not Stocked, available on special order.