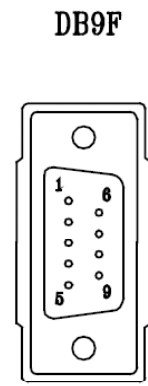
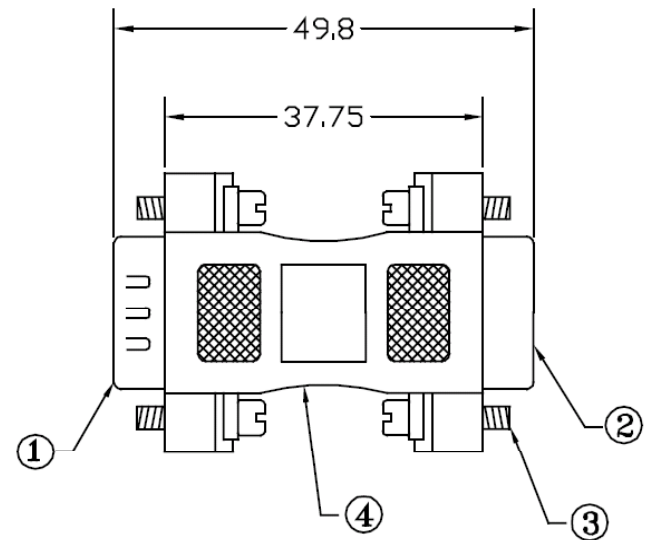
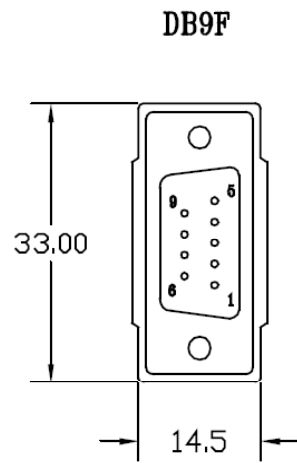


REVISIONS				
ZONE	REV	DESCRIPTION	DATE	APPROVED
	A	New Release	02/01/02	H.T.



### Pin Assignment

DB9F		DB9F
1	—	4
6	—	3
2	—	2
3	—	1
4	—	6
5	—	5
7	—	8
8	—	7
9	—	9
SHIELD	—	SHIELD

4.	PVC Molded Hood, Color Beige	1	PCS.
3.	SCREW 4-40, Length 12.5mm	4	PCS.
2.	DB9 Female, Gold Flash on Contacts	1	PCS.
1.	DB9 Female, Gold Flash on Contacts	1	PCS.
ITEM NO.	MATERIAL / SPECIFICATION	QTY REQD	UNIT
CABLE ASSEMBLY PARTS LIST			

<small>UNLESS OTHERWISE SPECIFIED:            1. DIMENSION ARE IN INCHS            2. TOLERANCES            DECIMALS XX.XX ±0.05            3. DO NOT SCALE DRAWING            4. REMOVE ALL BURRS AND            BREAK SHARP EDGES.</small>	CUSTOMER	<b>HO CHIEN</b> <a href="http://www.hochien.com">www.hochien.com</a>				
	CUSTOMER APPROVAL					
<small>PROPRIETARY DOCUMENT            THIS DRAWING AND/OR INFORMATION OR            SUBJECT MATTER CONTAINED HEREIN            SHALL NOT BE USED, COPIED OR            REPRODUCED IN ANY MANNER, OR FOR            ANY PURPOSE, OTHER THAN AS            EXPRESSLY STATED BY            COMTOP Interphase Corp.</small>	DRAWN <b>Howie Tseng</b>	DATE <b>02/01/02</b>	SIZE <b>30D1-184</b>	PSCM NO. <b>30D1-18400-01</b>	DWG NO. <b>30D1-18400-01</b>	REV <b>A</b>
CHECKED	SCALE NONE	Release Date: 02/01/02	SHEET 1	OF 1		