

SPECIFICATION :

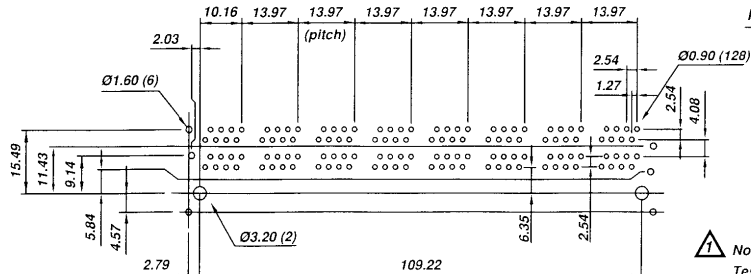
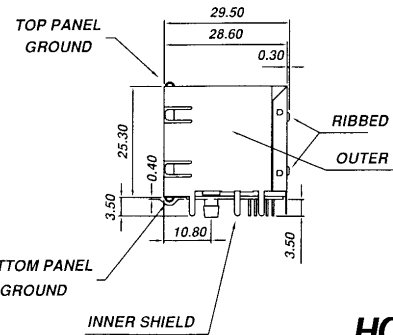
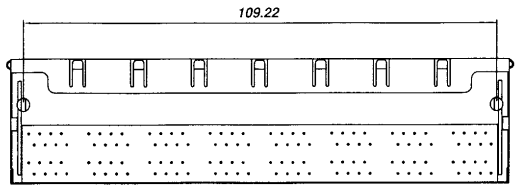
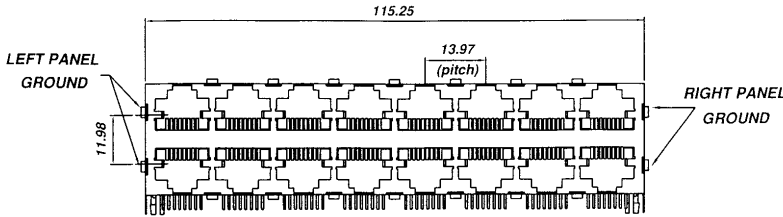
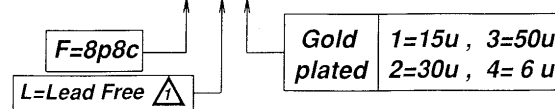
1. Electrical Char.

Insulation Resistance : 500M-Ohm Min.
 Contact Resistance : 20milli-Ohm Max.
 Rating Current : 1.5A Max.
 Rating Voltage : 120V AC
 Dielectric Voltage : 1,000 Vrms 60 Sec. Min.

2. Physical char.

Housing : PBT Glass Filled (UL 94V-0)
 Color : Black Color
 Spring Wire : 0.35mm Thickness Phosphor Bronze
 Gold Plating Over Nickel.
 Temperature Range : - 25 /+90 Deg C
 Durability : 500 Mating cycles Min.

HC-600-28-F-LX-B



⚠ Note : Total Cd(cadmium) Content< 5PPM(mg/kg)
 Test Method : EN1122:2001 Method (ICP-AES)
 : Total Pb(Lead) Content< 100PPM(mg/kg)
 Test Method : US EPA3050B (ICP-AES)

PCB LAYOUT (Top View)

NOT SCALED DRAWING	TOLERANCE UNLESS OTHERWISE NOTICE	INCH	MM	DR.	DATE
THIRD ANGLE PROJECTION	LINEAR $\frac{MM}{INCH}$	00±0.01 000±0.005 0000±0.002	00±0.25 000±0.13 0000±0.05	Steven CK D Johnn APP D Billy	DEC-23 '04 DEC-23 '04 DEC-23 '04
MM INCH	ANGLE+0°30'	RADIL	+0.40 -0.15		

HO CHIEN
www.hochien.com

TITLE	DOUBLE DECK GANG PCB JACK UL & cUL FILE NO. E131820
	MODULAR JACKS ASSY FOR HC-600-28-F-LX-B
	SCALE SIZE DWG. NO.9600 SERIES

DWG. NO. **AS600030-L**