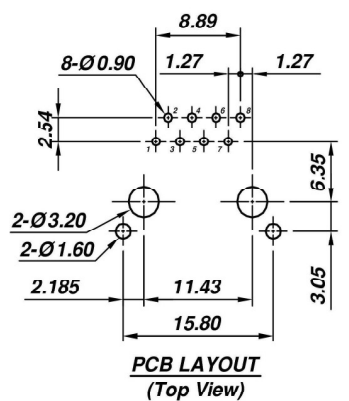
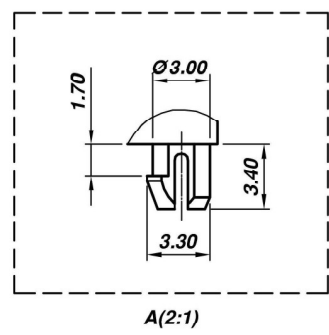
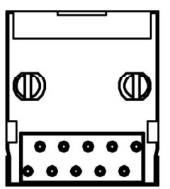
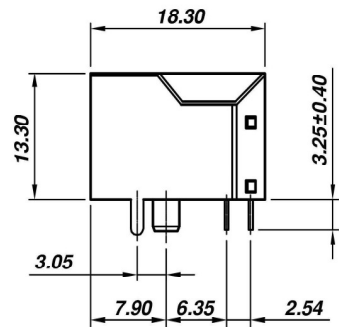
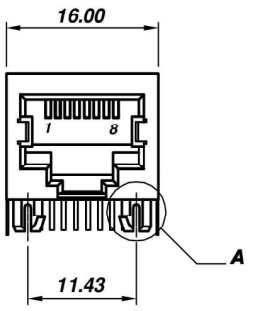


RoHs Compliant



SPECIFICATION :

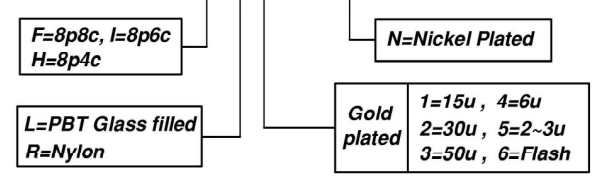
1. Electrical Char.

- Insulation Resistance : 500M-Ohm Min. 500V DC. for 1 minute.
- Contact Resistance : 30milli-ohm Max.
- Rating Current : 1.5A Max.
- Rating Voltage : 150V AC.
- Dielectric Voltage : 1,000 Vrms at 1MA 60 Sec. Min.

2. Physical char.

- Housing(Optional) : For Waving Soldering Process
- PBT Glass Filled (UL 94V-0),Soldering Temperature:235°C for 5 Sec.
- Nylon (UL 94V-0),Soldering Temperature:260°C for 5 Sec.
- Color : Black Color
- Spring Wire : 0.45mm Dia Phosphor Bronze Gold Plating Over Nickel
- Shielded : Brass Plating Nickel
- Temperature Range : -40°C /+85°C
- Durability : 750 Mating cycles Min.

HC-032SH 8 X XX A1 N1



Ho Chien
www.hochien.com

TITLE
**JACK LOW PRO R/A FULLY SHIELDED
0.45" PEG**

HC-032SH8XXA1N1

NOT SCALE DRAWING	TOLERANCE UNLESS OTHERWISE NOTICE	INCH	MM	DATE
THIRD ANGLE PROJECTION	LINEAR	$.00\pm0.01$ $.000\pm0.005$ $.0000\pm0.002$	$.00\pm0.25$ $.000\pm0.13$ $.0000\pm0.05$	
	ANGLE	$+0^{\circ} 30'$	$+0.45$ -0.15	