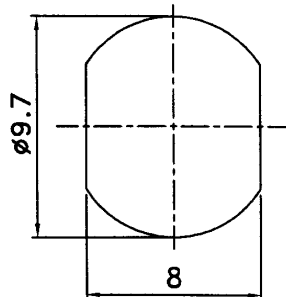
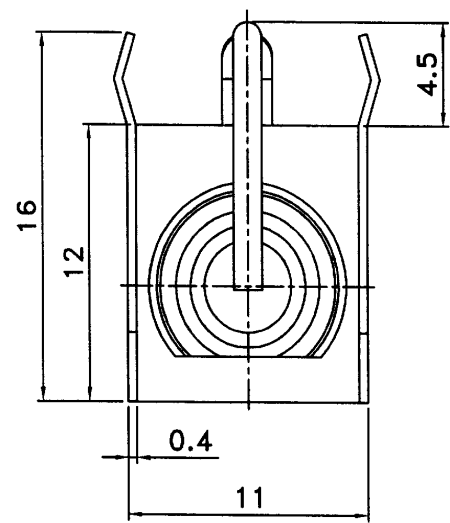
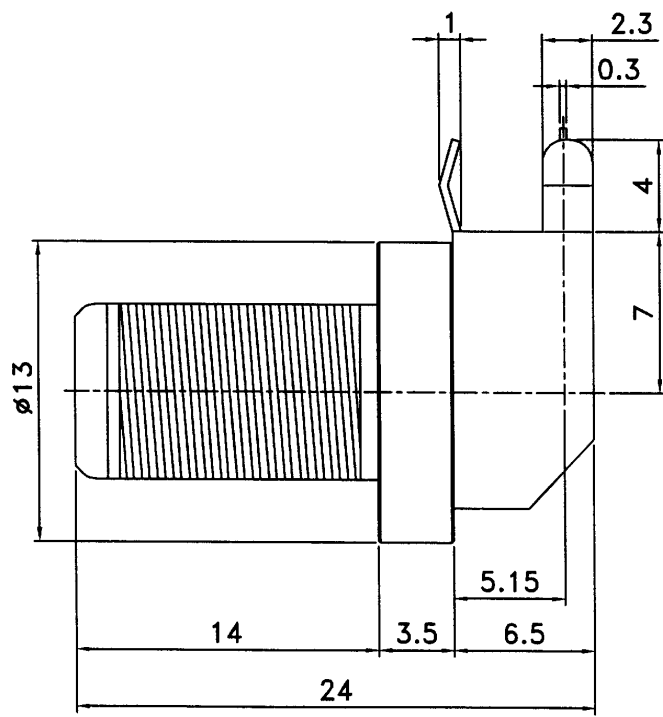
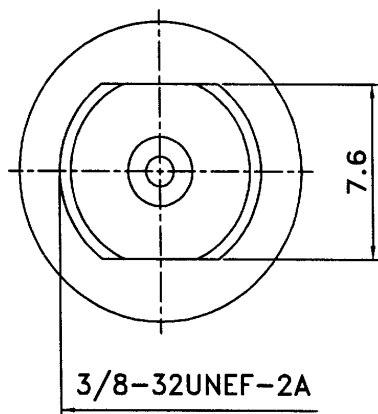


REV	DESCRIPTION\PER REQUEST	DRAWN	DATE



RECOMMENDED MOUNTING HOLE



NO	Description	Q'ty	Material	Finish
5	Bracket	1	Brass	Nickel
4	Dielectric	1	PolyPropylene	
3	Dielectric	1	PolyPropylene	
2	Pin	1	Phos Bronze	Tin
1	Body	1	Brass	Nickel

PART NO.	
APPROVED	DATE
CHECKED	DATE
DRAWN	DATE
Alan	08/12/04'

* MAJOR DIMENSION			
UNLESS OTHERWISE NOTED TOLERANCES			
0.5-6	=±0.2		
6-30	=±0.4		
30-120	=±0.6		
120-315	=±1.0		
ANGLES=±1°			
SCALE	3/1	UNIT	mm

HO CHIEN	
www.hochien.com	
TITLE	
F R/A RECEPTACLE, PCB EDGE MOUNT	
DRAWING NO.	F-1620-2-PTN
REV	A
FILE NO. D:\	F-1620-2-PTN