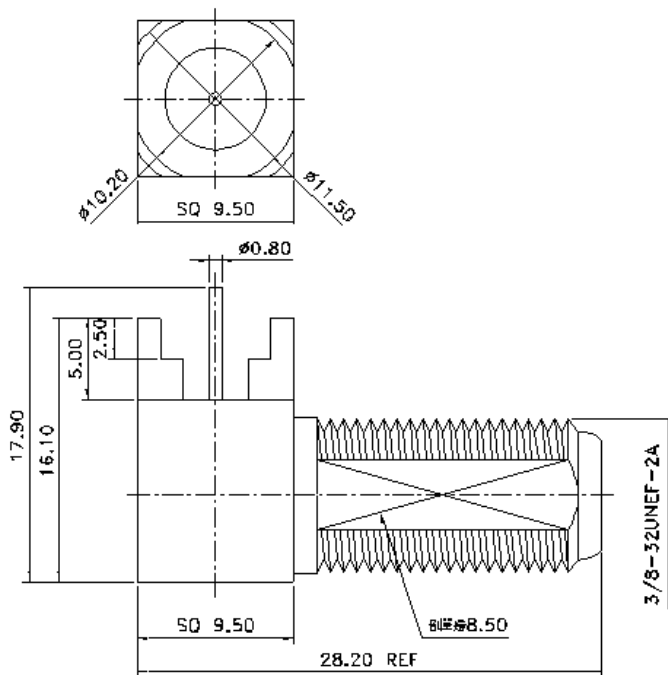


REV	DESCRIPTION	DRAWN	DATE



6	Dielectric(D-019)	1	Delrin	None
5	Dielectric(D-018)	1	Delrin	None
4	PIn(C-09014-PB)	1	Delrin+Phos Bronze	None
3	PIn(C-09005)	1	Brass	Tin
2	Body(B-09011)	1	Brass	Nickel
1	Body(B-09045)	1	Brass	Nickel
NO	Description	Qty	Material	Finish

UNLESS OTHERWISE SPECIFIED

- 1.REMOVE ALL BURRS.
- 2.BREAK ALL CORNERS & EDGES CO.15 MAX.
- 3.CHAMFER 1ST & LAST THREADS 45°.
- 4 DIAMETERS ON COMMON CENTERS TO BE CONCENTRIC WITHIN 0.1 T.P.R.
- 5.ALL DIMENSIONS ARE AFTER PLATING.

***MAJOR DIMENSION**

- UNLESS OTHERWISE NOTED TOLERANCES
- 0.5-6=±0.2
 - 6-30=±0.4
 - 30-120=±0.6
 - 120-315=±1.0
 - ANGLES=±1°
- SCALE 3/1 UNIT MM

APPROVED	
CHECKED	
DRAWN	江昱緯
DRAWN DATE	03/06/03

HO CHIEN <i>www.hochien.com</i>	
TITLE RIGHT ANGLE F FEMALE P.C. MOU	
DRAWING NO.	F-1619-3-DTN
REV	
FILE NO. D:\DWC\COMPOSE\F\F-1619-3-0TW	