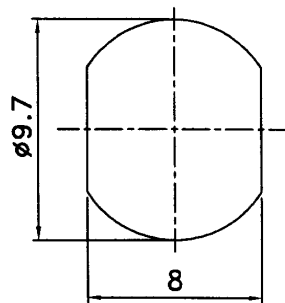
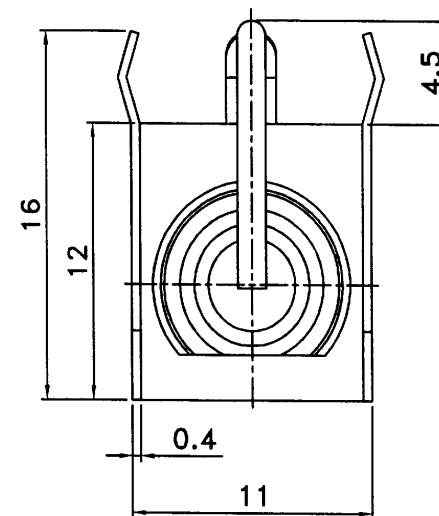
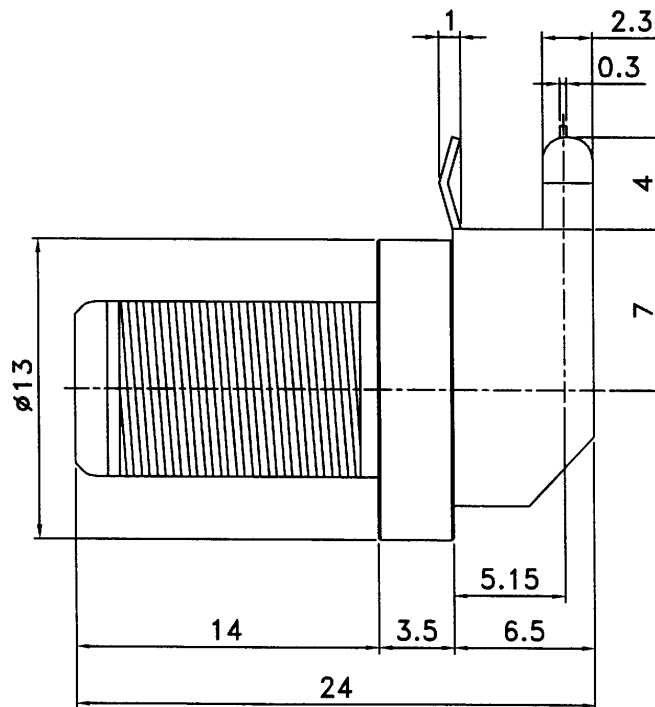
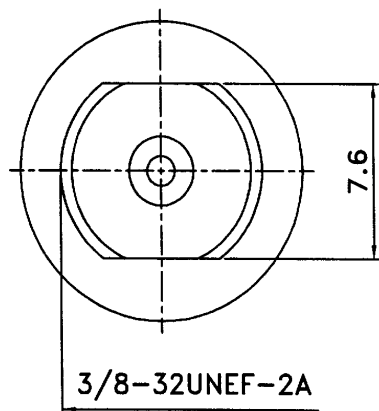


REV	DESCRIPTION \ PER REQUEST	DRAWN	DATE



RECOMMENDED MOUNTING HOLE



NO	Description	Q'ty	Material	Finish
5	Bracket	1	Brass	Nickel
4	Dielectric	1	Delrin	None
3	Dielectric	1	Delrin	None
2	Pin	1	Phos Bronze	Nickel
1	Body	1	Brass	Nickel

PART NO.	
APPROVED	DATE 08/12/04'
CHECKED	DATE 08/12/04'
DRAWN Alan	DATE 08/12/04'

* MAJOR DIMENSION
UNLESS OTHERWISE NOTED TOLERANCES
0.5-6=±0.2
6-30=±0.4
30-120=±0.6
120-315=±1.0
ANGLES=±1°
SCALE 3/1
UNIT mm

HO CHIEN www.hochien.com	
TITLE	F R/A RECEPTACLE, PCB EDGE MOUNT
DRAWING NO.	F-16039-DNN
REV	A
FILE NO. D:\AS\F-16039-DNN	