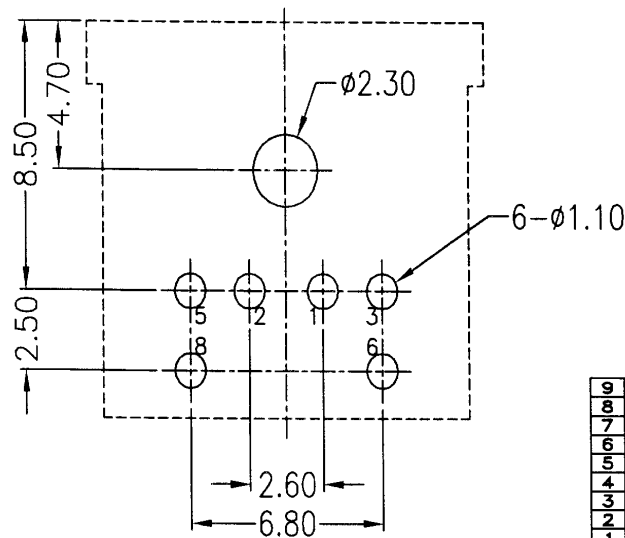
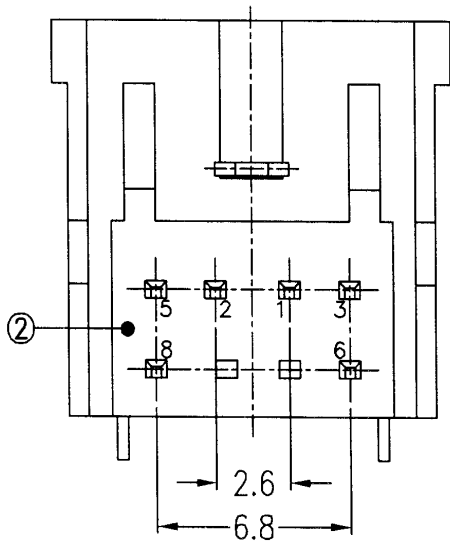


B

*TOLERANCE-
±0.2 FOR ALL OTHERS



Recommended PCB Layout
[BOTTOM VIEW]

ITEM	PART NO.	NAME	MATERIAL	FINISH	Q'TY	NOTE
9	C101-M9A	CENTER GROUND	BRASS	NI	1	40T
8	C101-M8G	CONTACT #8	PBS	Au+Tin	1	20T
7	C101-M6G	CONTACT #6	PBS	Au+Tin	1	20T
6	C101-M5G	CONTACT #5	PBS	Au+Tin	1	20T
5	C101-M3G	CONTACT #3	PBS	Au+Tin	1	20T
4	C101-M2G	CONTACT #2	PBS	Au+Tin	1	20T
3	C101-M1G	CONTACT #1	PBS	Au+Tin	1	20T
2	C101-P2	SPACER	PBT	15	1	UL94V-0
1	C101-P1-6P	HOUSING	PRT	15	1	UL94V-0

APPROVALS		DATE	FILE	
DRAWN: Danny		ENL/04/23	MINI-DIN JACK, 6 PINS	
CHECKED: GARY		ENL/04/23	NON-SHIELD	
APPROVED: Richard		ENL/04/23	SCALE: A3	REV. NO. B
				PART NO. CJ101-6
				SHEET 1/1

REV.	DESCRIPTIONS	DATE
B	Was 3.3, New 3.18	010422