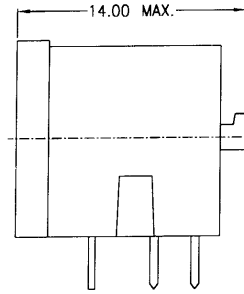
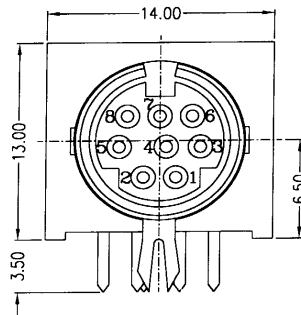
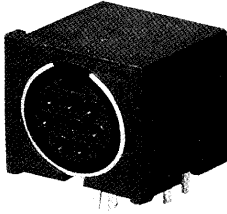


# MINI DIN JACK

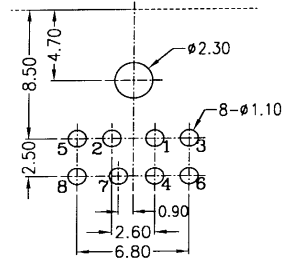
# HO CHIEN

**MINI DIN JACK**

## CJ101



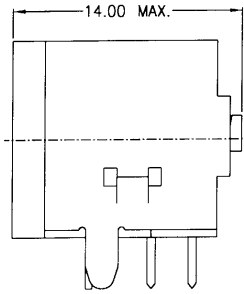
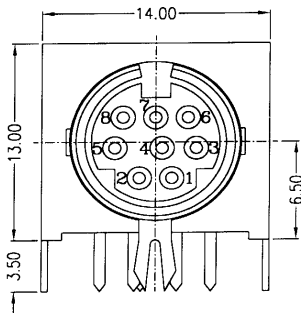
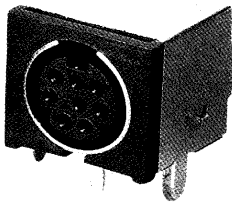
PCB LAYOUT  
<BOTTOM VIEW>



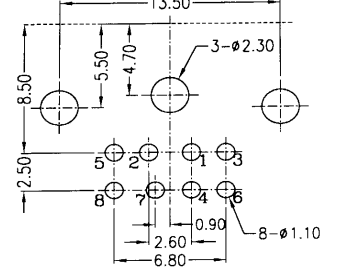
**NON-SHIELD**

NO. OF PINS	3 PINS	4 PINS	5 PINS	6 PINS	7 PINS	8 PINS	9 PINS
PART NO.	CJ101-3	CJ101-4	CJ101-5	CJ101-6	CJ101-7	CJ101-8	CJ101-9

## CJ103



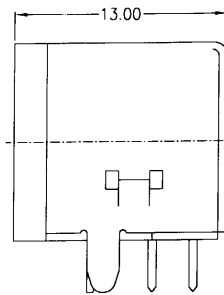
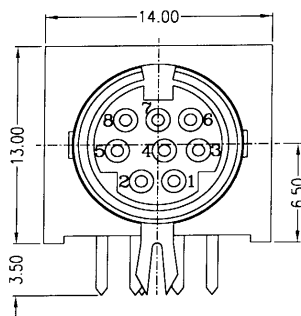
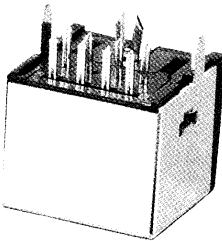
PCB LAYOUT  
<BOTTOM VIEW>



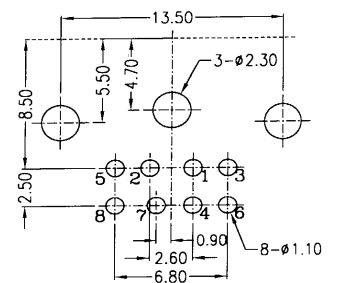
**3-SIDE SHIELD**

NO. OF PINS	3 PINS	4 PINS	5 PINS	6 PINS	7 PINS	8 PINS	9 PINS
PART NO.	CJ103-3	CJ103-4	CJ103-5	CJ103-6	CJ103-7	CJ103-8	CJ103-9

## CJ104B



PCB LAYOUT  
<BOTTOM VIEW>



**4-SIDE SHIELD**

NO. OF PINS	3 PINS	4 PINS	5 PINS	6 PINS	7 PINS	8 PINS	9 PINS
PART NO.	CJ104B-3	CJ104B-4	CJ104B-5	CJ104B-6	CJ104B-7	CJ104B-8	CJ104B-9