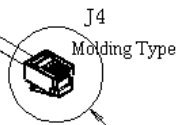
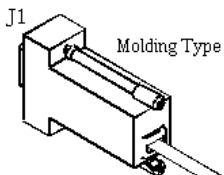
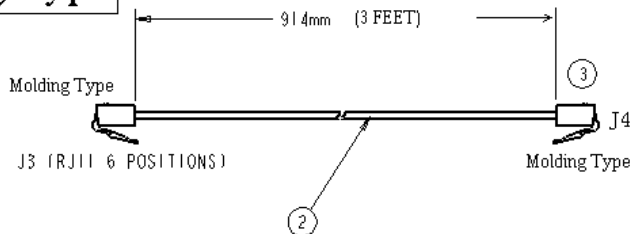
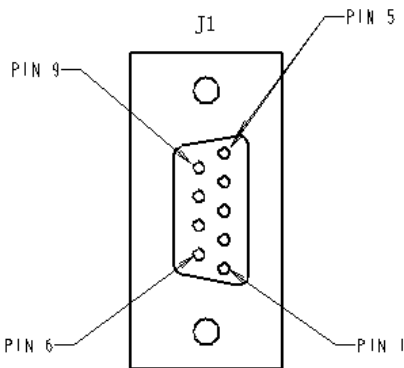


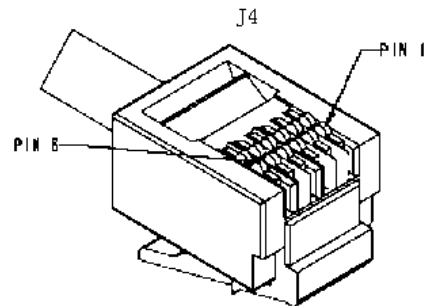
# Molding Type



SEE DETAIL B



DETAIL A  
SCALE 3.000



DB9F to RJ11

COLOR	J1	J4
BLACK	2	3
RED	3	2
YELLOW	5	5

Rev: A 7-25-06'

3	2	Conn, Modular Plug, 4 Contacts, 6 Positions, Cat5, For Stranded Wire
2	1	CABLE, TELEPHONE, 4 Conductors, 3feet Long, UL
1	1	Adapter, 6 Conductor Jack to DB9 Female
ITEM	QTY	DESCRIPTION

**RoHS Compliant**

**BILL OF MATERIAL**

P/N#

**Molding Type**  
CA-C4113-0003A

**HO CHIEN**  
[www.hochien.com](http://www.hochien.com)