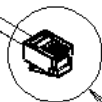
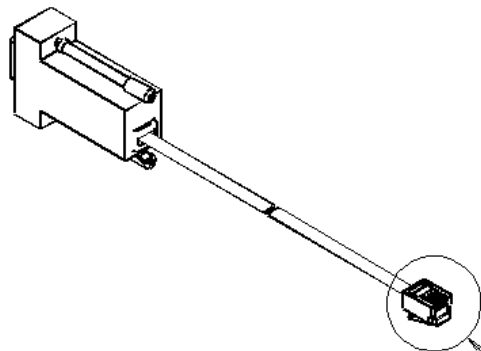
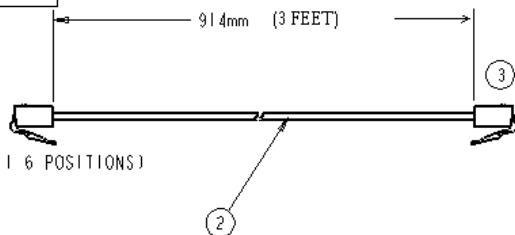


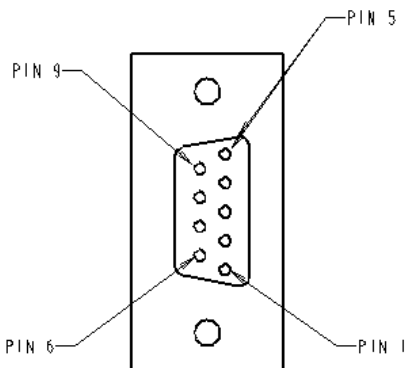
J1 (DB9 - FEMALE)



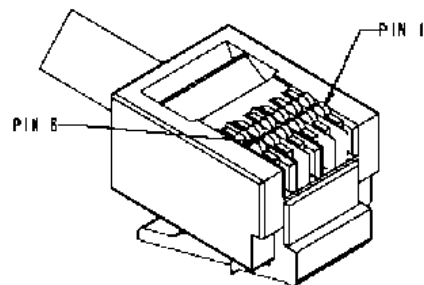
Assembly Type



SEE DETAIL B



DETAIL A
SCALE 3,000



RJ11 TO DB9 (F) CONNECTION

COLOR	J1	J2
BLACK	2	2
RED	3	3
YELLOW	5	5

RJ11 TO RJ11 CONNECTION

COLOR	J3	J4
BLACK	2	2
RED	3	3
YELLOW	5	5

3	2	Conn, Modular Plug, 4 Contacts, 6 Positions, Cat3, For Stranded Wire
2	1	CABLE, TELEPHONE, 4 Conductors, 3feet Long
1	1	Adapter, 6 Conductor Jack to DB9 Female
ITEM	QTY	DESCRIPTION

RoHs Compliant

BILL OF MATE

PN#

Assembly Type
CA-C4113-0003

HO CHIEN
www.hochien.com