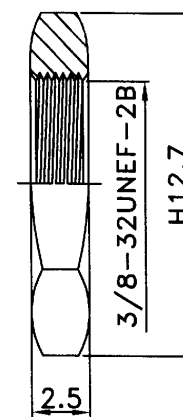
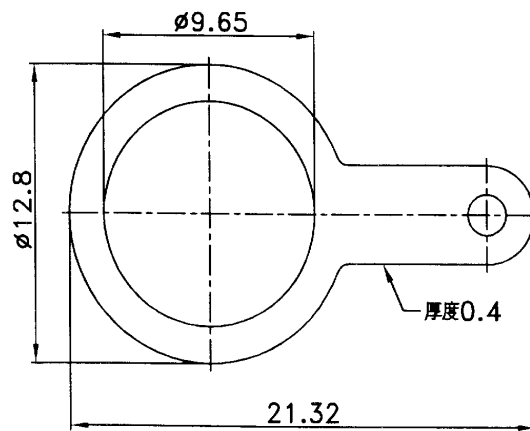
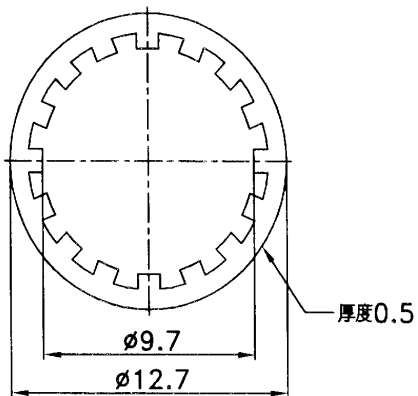
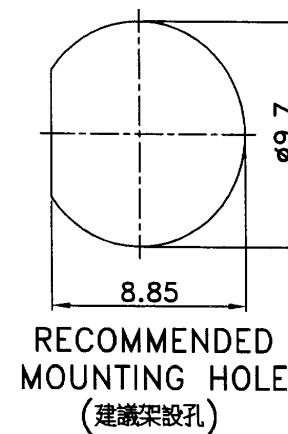
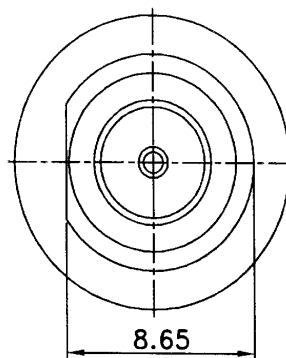
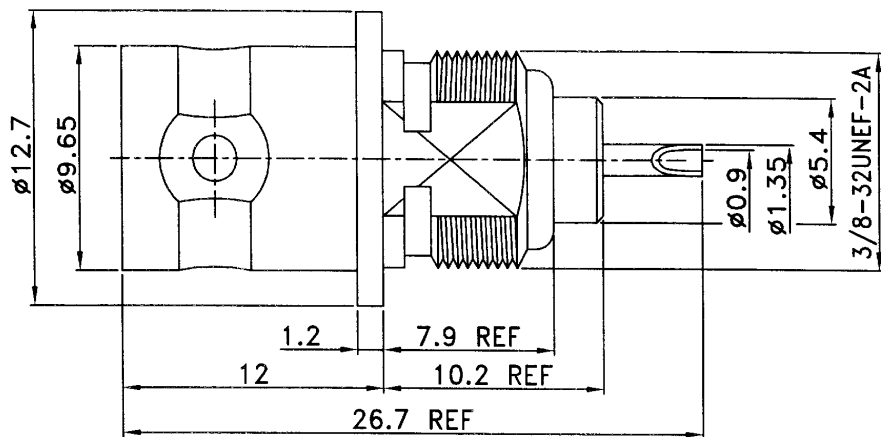


REV	DESCRIPTION\PER REQUEST	DRAWN	DATE



NO	Description	Q'ty	Material	Finish
6	Nut	1	Brass	Nickel
5	Washer	1	Brass	Nickel
4	Washer	1	Brass	Nickel
3	Dielectric	1	Teflon	None
2	Pin	1	Phos Bronze	Gold
1	Body	1	Brass	Nickel

PART NO.	
APPROVED	DATE 08/30/04
CHECKED	DATE 08/30/04
DRAWN KAI	DATE 08/30/04

* MAJOR DIMENSION		
UNLESS OTHERWISE NOTED TOLERANCES		
0.5-6	=±0.2	
6-30	=±0.4	
30-120	=±0.6	
120-315	=±1.0	
ANGLES=±1°		
SCALE	3/1	UNIT mm

HO CHIEN www.hochien.com	
TITLE BNC BULKHEAD JACK	
DRAWING NO. BNC-1342-21-75-TGN	
FILE NO. D:\DWG\COMPOSE\BNC\BNC-1342-21-75-TGN	REV A