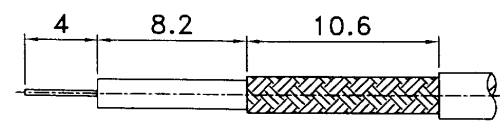
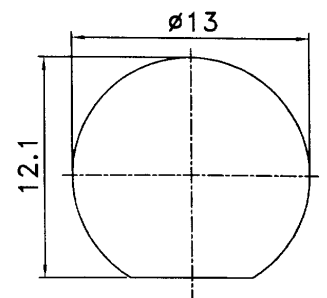


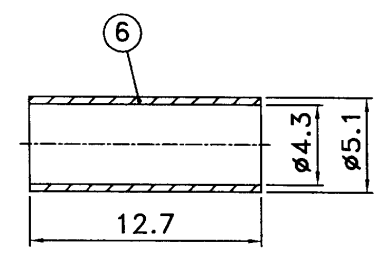
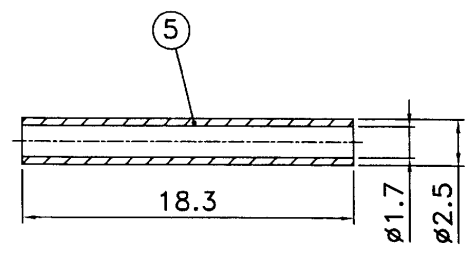
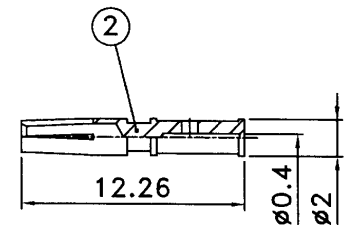
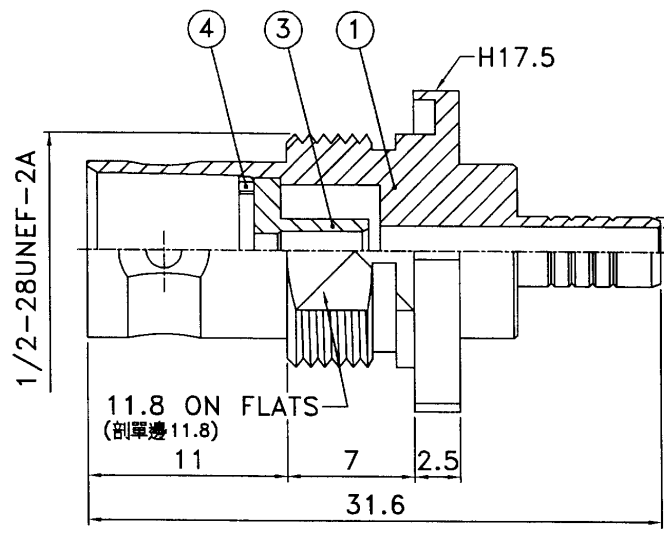
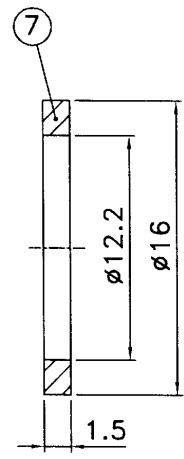
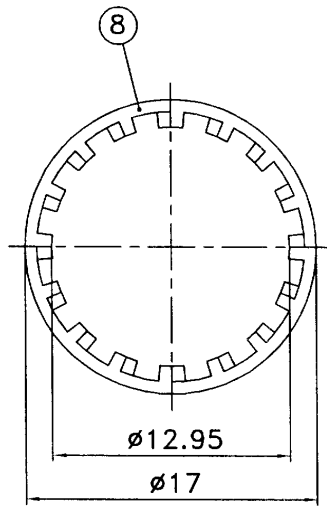
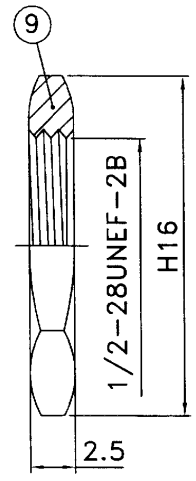
REV	DESCRIPTION \ PER REQUEST	DRAWN	DATE



RECOMMENDED
CABLE STRIPPING DIM'S
(建議剝線尺寸)



RECOMMENDED
MOUNTING HOLE
(建議安裝孔)



1. MAX. PANEL THICKNESS=3.5mm
(最大板厚=3.5mm)

9	Nut(N-001)	1	Brass	Nickel
8	Washer(W-137)	1	Brass	Nickel
7	Gasket(G-020-SI)	1	Si-rubber	Orange
6	Ferrule	1	Copper	Nickel
5	Dielectric	1	Delrin	None
4	Press fit washer(W-005)	1	Brass	Nickel
3	Dielectric	1	Teflon	None
2	Pin	1	Phos bronze	Gold
1	Body	1	Brass	Nickel
NO	Description	Q'ty	Material	Finish

PART NO.	
APPROVED	DATE 11/16/04'
CHECKED	DATE 11/16/04'
DRAWN	DATE 11/16/04'
Alan	

* MAJOR DIMENSION		
UNLESS OTHERWISE NOTED TOLERANCES		
0.5-6	=	± 0.2
6-30	=	± 0.4
30-120	=	± 0.6
120-315	=	± 1.0
ANGLES= $\pm 1^\circ$		
SCALE	2.5/1	UNIT mm

HO CHIEN www.hochien.com	
TITLE	BNC BULKHEAD CRIMP JACK 75 Ohm
DRAWING NO.	ASBNC-13055-N-TGN
REV	A
FILE NO.	D:\電腦\AS\ASBNC\ASBNC-13055-N-TGN