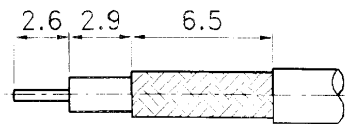
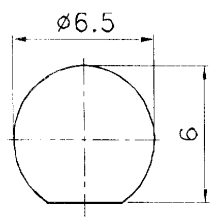


REV	DESCRIPTION\PER REQUEST	DRAWN	DATE

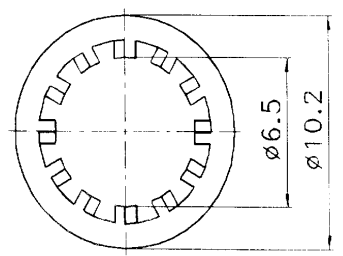
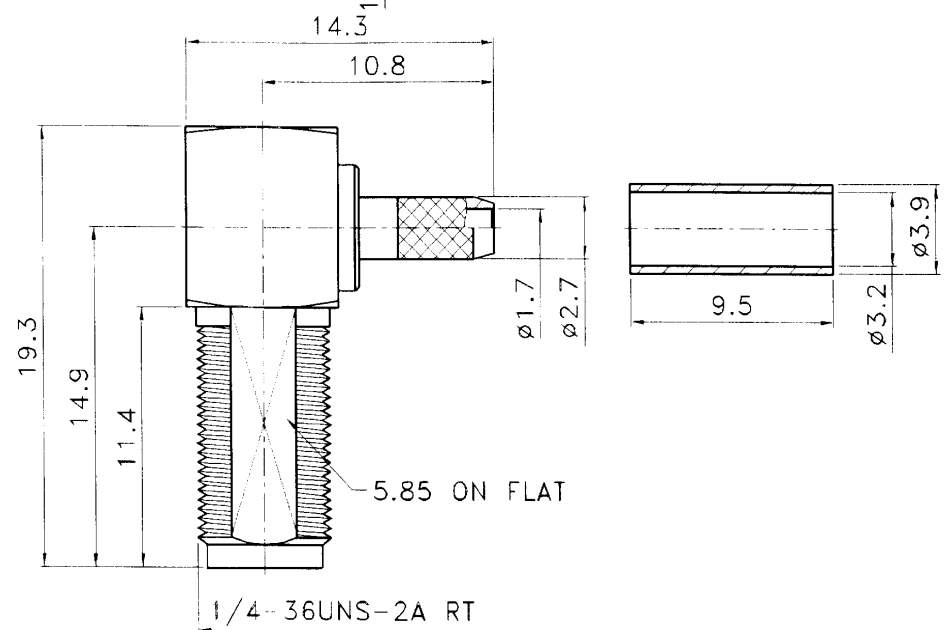
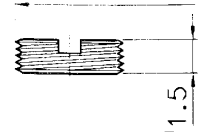


RECOMMENDED  
CABLE STRIPPING DIM'S

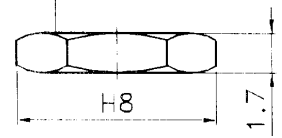


RECOMMENDED  
MOUNTING HOLE

M5XP0.8-6g



1/4-36UNS-2B RT



7	Nut	1	Brass	Gold
6	Washer(W-008)	1	Brass	Gold
5	Ferrule(F-176)	1	Brass	Gold
4	Nut(N-013)	1	Brass	Gold
3	Dielectric	1	Teflon	None
2	Pin	1	Brass	Gold
1	Body	1	Brass	Gold
NO	Description	Q'ty	Material	Finish

PART NO.		*MAJOR DIMENSION	
APPROVED	DATE	UNLESS OTHERWISE NOTED, TOLERANCES	
CHECKED	DATE	0.5-8 = ±0.2	
DRAWN	DATE	6-30 = ±0.4	
Alan	08/06/04	30-120 = ±0.6	
	08/06/04	120-315 = ±1.0	
		ANGLES = ±1°	
		SCALE	3/1
		UNIT	mm

<h1>HO CHIEN</h1>		TITLE	
		SMA R/A BULKHEAD JACK	
DRAWING NO.		REV	
ASSMA-10116-L-TGG		A	
FILE NO. D:\AS\ASSMA-10116-L-TGG			