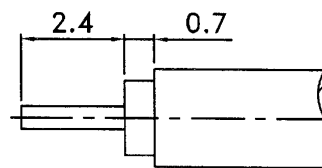
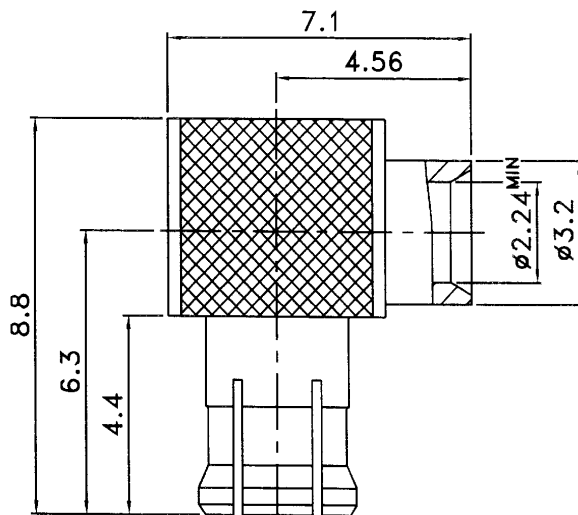
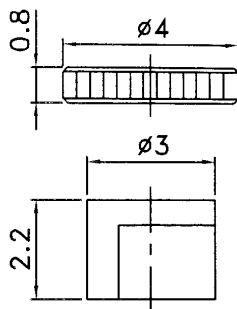


REV	DESCRIPTION\PER REQUEST	DRAWN	DATE



RECOMMENDED
CABLE STRIPPING DIM'S
(建議剝線尺寸)

1. FOR .085", .086" CABLE
(適用纜線)

6	Dielectric(D-055)	1	Delrin	None
5	Cap(E-029)	1	Brass	Gold
4	Dielectric(T-12007)	1	Teflon	None
3	Pin	1	Brass	Gold
2	Body(B-12034-BU)	1	Beryllium	Gold
1	Body	1	Brass	Gold
NO	Description	Q'ty	Material	Finish

PART NO.	
APPROVED	DATE 08/11/04'
CHECKED	DATE 08/11/04'
DRAWN Alan	DATE 08/11/04'

* MAJOR DIMENSION
UNLESS OTHERWISE NOTED TOLERANCES
0.5-6=±0.2
6-30=±0.4
30-120=±0.6
120-315=±1.0
ANGLES=±1°
SCALE 8/1 UNIT mm

HO CHIEN www.hochien.com	
TITLE MCX R/A DIRECT SOLDER PLUG	
DRAWING NO. ASmex-913-TGG	
REV A	FILE NO. D:\AS\ASmex\ASmex-913-TGG