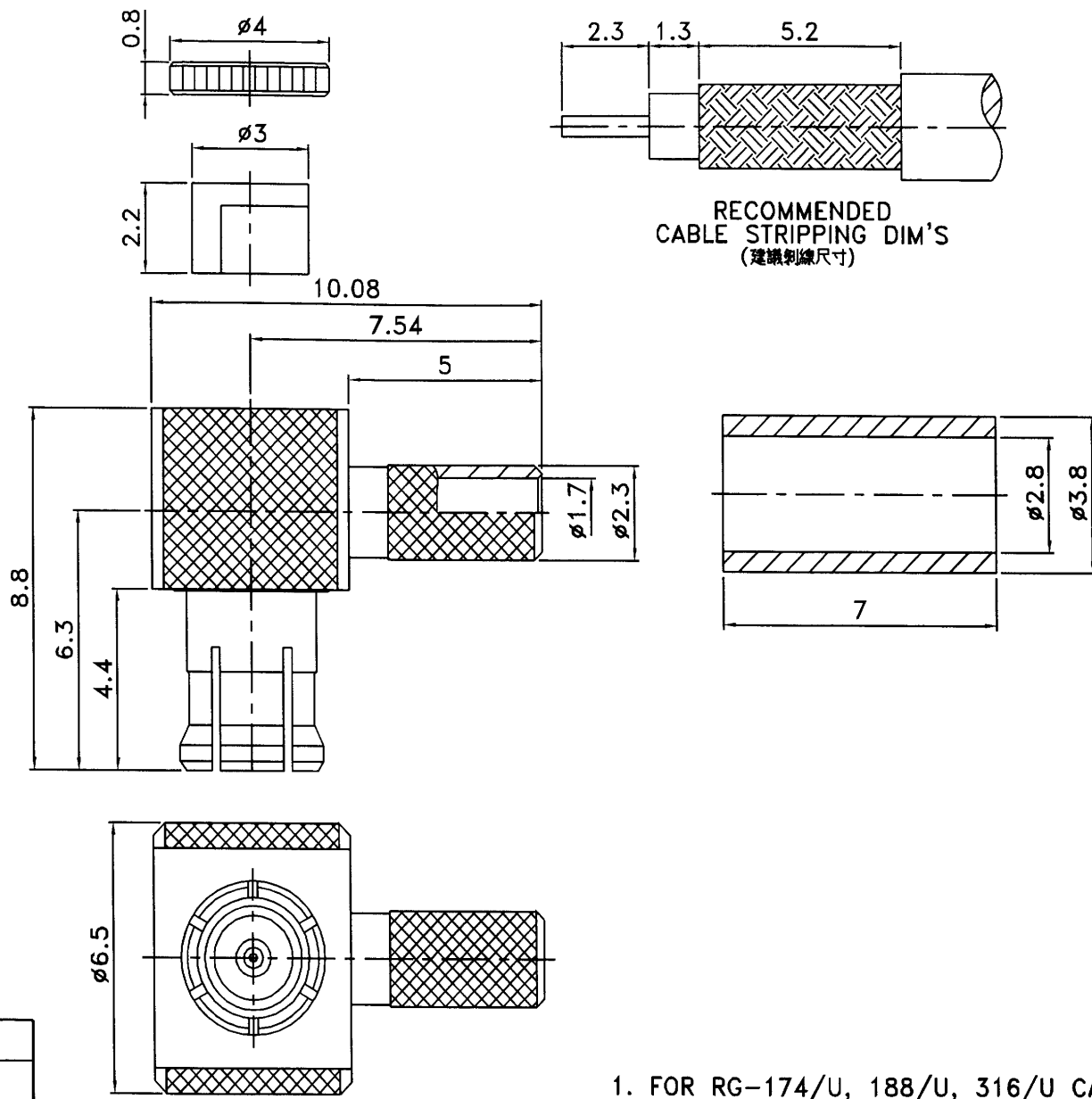


REV	DESCRIPTION\PER REQUEST	DRAWN	DATE



RECOMMENDED  
CABLE STRIPPING DIM'S  
(建議剝線尺寸)

1. FOR RG-174/U, 188/U, 316/U CABLE  
(適用纜線)

7	Dielectric(D-055)	1	Delrin	None
6	Cap(E-029)	1	Brass	Gold
5	Ferrule	1	Brass	Gold
4	Dielectric(T-12007)	1	Teflon	None
3	Pin(C-12005-PB)	1	Phos Bronze	Gold
2	Body(B-12034-BU)	1	Beryllium	Gold
1	Body	1	Brass	Gold
NO	Description	Q'ty	Material	Finish

PART NO.	
APPROVED	DATE
	05/27/04'
CHECKED	DATE
	05/27/04'
DRAWN	DATE
Alan	05/27/04'

* MAJOR DIMENSION	
UNLESS OTHERWISE NOTED TOLERANCES	
0.5-6=±0.2	
6-30=±0.4	
30-120=±0.6	
120-315=±1.0	
ANGLES=±1°	
SCALE	6/1 UNIT mm

HO CHIEN	
TITLE MCX R/A CRIMP PLUG	
DRAWING NO.	ASmex-912-L-TGG
REV	A
FILE NO. D:\AS\ASmex\ASmex-912-L-TGG	