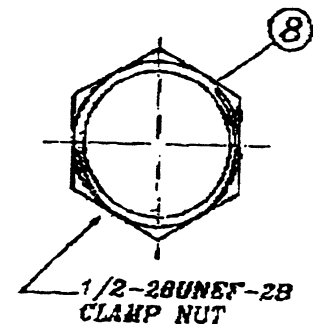
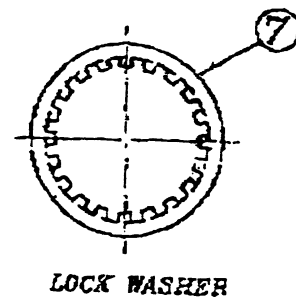


RECOMMENDED MOUNTING HOLE  
 MAXIMUM PANEL THICKNESS: 5.5MM  
 RECOMMENDED MOUNTING TORQUE:  
 12 INCH-POUNDS MAX



**MATERIAL & FINISH**

- ① CENTER CONTACT : PHOSPHOR BRONZE, GOLD PLATING
- ② BODY : DIECAST (ZINC #3) NICKEL PLATING
- ③ HOUSING : PBT (94 V-0)
- ④ INSULATOR : POLYPROPYLENE (94 V-0)
- ⑤ MOUNTING POST : BRASS, TIN/LEAD PLATING
- ⑥ SOLDER TAIL : BRASS WIRE, TIN LEAD PLATING
- ⑦ WASHER : PHOSPHOR BRONZE, NICKEL PLATING
- ⑧ NUT : BRASS, NICKEL PLATING



HO CHIEN Enterprise Co., Ltd.



名

DRAWING NAME

HO CHIEN



號

DRAWING NUMBER

9001-7056

比例尺  
SCALE