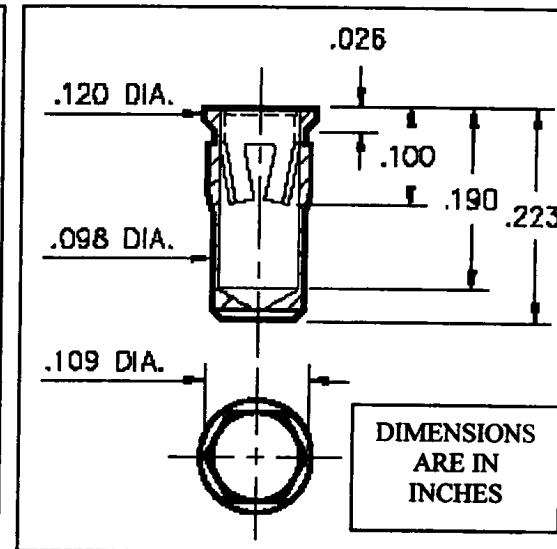
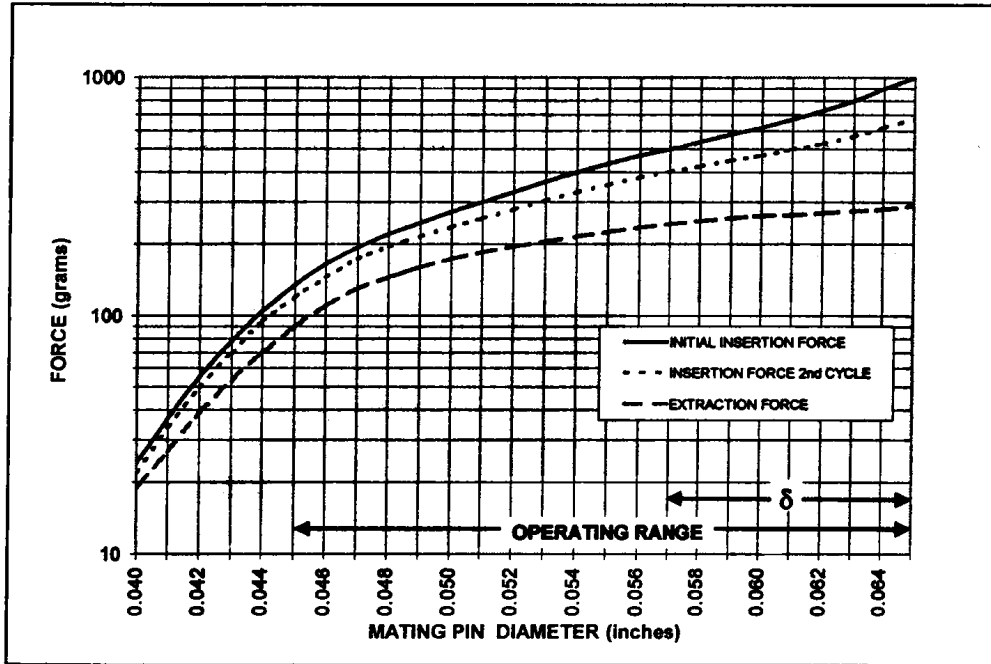


1. MATERIALS

- 1.1. Shell: Brass alloy 360 (61.5% Cu, 35.4% Zn, 3.1% Pb), half-hard
- 1.2. Shell finish: 10μ" gold over nickel
- 1.3. Contact: Beryllium copper alloy 172 (98.1% Cu, 1.9% Be), HT
- 1.4. Contact finish: 10μ" gold over nickel

2. MECHANICAL

- 2.1. Recommended PC board hole size: 0.104", plated through
- 2.2. Insertion / extraction forces (smooth gold-plated pin):



2.3. Minimum size pin which will make reliable contact with socket after insertion of smooth, gold-plated 0.067" diameter pin (shown on graph as δ): 0.057"

2.4. Number of contact fingers: 6

3. ELECTRICAL

3.1. Current rating for 10°C rise: 11.2A

4. SOLDERABILITY

4.1. Parts shall comply with BRK solderability specification S61-15

61218	JW	6/10/03	N/A	RELEASE	JW	A
TOLERANCES UNLESS OTHERWISE SPECIFIED	ECO NO	APPROVED	DATE	TOOL STATUS	DESCRIPTION OF CHANGE	
LENGTHS ±0.005 DIAMETERS ±0.002 ANGLES ±2°	THIS PRINT AND INFORMATION HEREIN ARE PROPRIETARY TO HO CHIEN AND SHALL NOT BE USED IN WHOLE OR IN PART WITHOUT ITS WRITTEN CONSENT.				HO CHIEN www.hochien.com	
DO NOT SCALE DRAWING SCALE: N/A	UNLESS OTHERWISE SPECIFIED DIMENSIONS ARE IN INCHES			SHEET A SIZE	PN# CM-M0073-0001	
TITLE: PC BOARD SOCKET, PRESS-FIT, FOR 0.045" - 0.067" PIN	DRAWING NUMBER S50-0038-000		SHT OF 1 of 1	REV A		