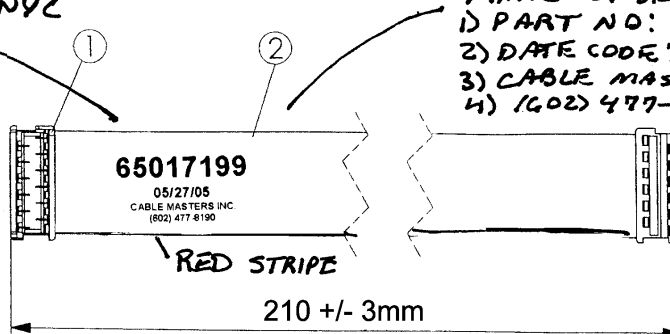


HO CHIEN PN# CA-C6029-0012

LABEL MATERIAL: VINYL
AND MUST BE
THERMAL TRANSFER
(DOT MATRIX NOT
ACCEPTED)

MAKE LABEL AS SHOWN:
1) PART NO: 65017199
2) DATE CODE: DATE OF MFG.
3) CABLE MASTERS INC.
4) (802) 477-8190



NOTE
ORIENTATION
OF CONNECTORS
(POLARITY
OF SLOT
VERY IMPORTANT)

Picoflex PF-5		Picoflex PF-50	
R1	PIN 1	PIN 1	R1
G1	PIN 2	PIN 2	G1
B1	PIN 3	PIN 3	B1
R2	PIN 4	PIN 4	R2
G2	PIN 5	PIN 5	G2
B2	PIN 6	PIN 6	B2
MX5	PIN 7	PIN 7	MX5
MX4	PIN 8	PIN 8	MX4
MX1	PIN 9	PIN 9	MX1
MX0	PIN 10	PIN 10	MX0
MX2	PIN 11	PIN 11	MX2
MX3	PIN 12	PIN 12	MX3

Item	Quant	Part Name	Description / UL No.	Part Number
1	2	Picoflex PF-50 12 pos.	UL 94V-0	Molex 90327-0312
2	1	Ribbon Cable 12 pos.	AWG 28 (7/36) Pitch 1.27 UL 2651	Umberg MICA-12

MATERIAL		A4
FINISH		
Part name Cable FL-Contrib. / FL-Sideb.L Left - EMC		SCALE
SAP No. 65017199	Drawing No. 1050.300027	Index 00